

savo[®]
DESIGN & TECHNIC

I-7804-S
I-7804-W
I-7804-W3
I-7804-S3
I-7804-B3



Instructions Manual
Käyttöohje
Bruksanvisning

INDEX

EN

SAFETY INFORMATION	3
CHARACTERISTICS	6
INSTALLATION	8
USE	12
CARE AND CLEANING	13

SISÄLTÖ

FI

TURVALLISUUSTIETOJA	15
MITAT JA OSAT	18
ASENNUS	20
KÄYTTÖ	24
PUHDISTUS JA HUOLTO	25

INNEHÅLL

SE

SÄKERHETSINFORMATION	27
EGENSKAPER	30
INSTALLATION	32
ANVÄNDING	36
NGÖRING OCH UNDERHÅL	37

SAFETY INFORMATION

i For your safety and correct operation of the appliance, read this manual carefully before installation and use. Always keep these instructions with the appliance even if you move or sell it. Users must fully know the operation and safety features of the appliance.

⚠ The wire connection has to be done by specialized technician.

- The manufacturer will not be held liable for any damages resulting from incorrect or improper installation.
- The minimum safety distance between the cooker top and the extractor hood is 650 mm (some models can be installed at a lower height, please refer to the paragraphs on working dimensions and installation).
- If the instructions for installation for the gas hob specify a greater distance, this must be respected.
- Check that the mains voltage corresponds to that indicated on the rating plate fixed to the inside of the hood.
- Means for disconnection must be incorporated in the fixed wiring in accordance with the wiring rules.
- For Class I appliances, check that the domestic power supply guarantees adequate earthing.
- Connect the extractor to the exhaust flue through a pipe of minimum diameter 120 mm. The route of the flue must be as short as possible.
- Regulations concerning the discharge of air have to be fulfilled.
- Do not connect the extractor hood to exhaust ducts carrying combustion fumes (boilers, fireplaces, etc.).

- If the extractor is used in conjunction with non-electrical appliances (e.g. gas burning appliances), a sufficient degree of aeration must be guaranteed in the room in order to prevent the backflow of exhaust gas. When the cooker hood is used in conjunction with appliances supplied with energy other than electric, the negative pressure in the room must not exceed 0,04 mbar to prevent fumes being drawn back into the room by the cooker hood.
- The air must not be discharged into a flue that is used for exhausting fumes from appliances burning gas or other fuels.
- If the supply cord is damaged, it must be replaced from the manufacturer or its service agent.
- Connect the plug to a socket complying with current regulations, located in an accessible place.
- With regards to the technical and safety measures to be adopted for fume discharging it is important to closely follow the regulations provided by the local authorities.


⚠ WARNING: Before installing the Hood, remove the protective films.

- Use only screws and small parts in support of the hood.


⚠ WARNING: Failure to install the screws or fixing device in accordance with these instructions may result in electrical hazards.

- Do not look directly at the light through optical devices (binoculars, magnifying glasses...).
- Do not flambè under the range hood; risk of fire.
- This appliance can be used by children aged from 8 years and above and persons with reduced physical, sensory or mental capabilities or lack of experience and knowledge if they have been given supervision or instruction concerning use of the appliance in a safe way and understand the hazards involved. Children shall not play with the appliance. Cleaning and user maintenance shall not be made by children without supervision.
- Children should be supervised to ensure that they do not play with the appliance.

- The appliance is not to be used by persons (including children) with reduced physical, sensory or mental capabilities, or lack of experience and knowledge, unless they have been given supervision or instruction.

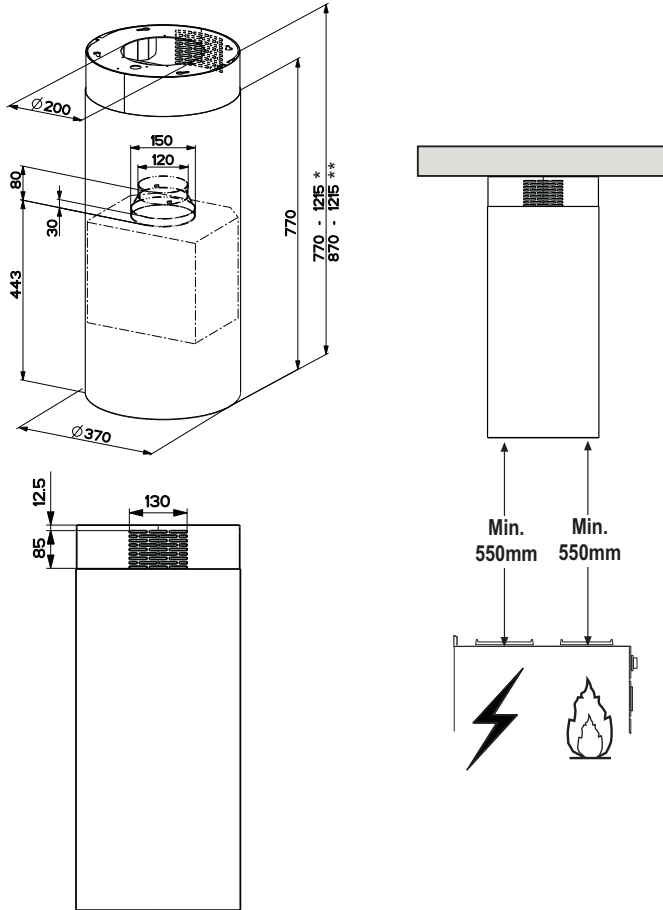
 Accessible parts may become hot when used with cooking appliances.

- Clean and/or replace the Filters after the specified time period (Fire hazard). See paragraph Care and Cleaning.
- There shall be adequate ventilation of the room when the range hood is used at the same time as appliances burning gas or other fuels (not applicable to appliances that only discharge the air back into the room).

- The symbol  on the product or on its packaging indicates that this product may not be treated as household waste. Instead it shall be handed over to the applicable collection point for the recycling of electrical and electronic equipment. By ensuring this product is disposed of correctly, you will help prevent potential negative consequences for the environment and human health, which could otherwise be caused by inappropriate waste handling of this product. For more detailed information about recycling of this product, please contact your local city office, your household waste disposal service or the shop where you purchased the product.

CHARACTERISTICS

Dimensions



* Dimensions of the hood in ducting version.

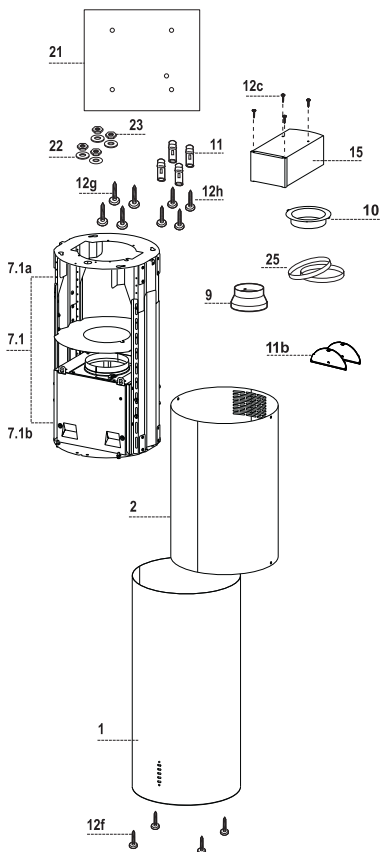
** Dimensions of the hood in recycling version.

Components

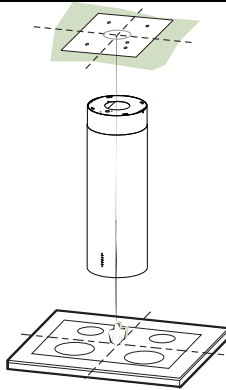
Ref.	Q.ty	Product Components
1	1	Hood Body, complete with: Controls, Light, Blower, Filters
2	1	Chimney Upper
7.1	1	Telescopic frame complete with extractor, consisting of:
7.1a	1	Upper frame
7.1b	1	Lower frame
9	1	Reducer Flange \varnothing 150-120 mm
10	1	Flange \varnothing 120 mm
11b	2	Flap
15	1	Recirculation Air Outlet Connection
25	2	Pipe clamps (not included)

Ref.	Q.ty	Installation Components
11	4	Wall Plugs \varnothing 10
12c	4	Screws 2,9 x 6,5
12f	4	Screws M6 x 10
12g	4	Screws M6 x 80
12h	4	Screws 5,2 x 70
21	1	Drilling template
22	4	6.4 mm int. dia washers
23	4	M6 nuts

Q.ty	Documentation
1	Instruction Manual



INSTALLATION



Drilling the Ceiling/shelf and fixing the frame

DRILLING THE CEILING/SHELF

- Use a plumb line to mark the centre of the hob on the ceiling/support shelf.
- Place the drilling template **21** provided on the ceiling/support shelf, making sure that the template is in the correct position by lining up the axes of the template with those of the hob.
- Mark the centres of the holes in the template.
- Drill the holes at the points marked:
 - For concrete ceilings, drill for plugs appropriate to the screw size.
 - For hollow brick ceilings with wall thickness of 20 mm: drill \varnothing 10 mm(immediately insert the Dowels **11** supplied).
 - For wooden beam ceilings, drill according to the wood screws used.
 - For wooden shelf, drill \varnothing 7 mm.
 - For the power supply cable feed, drill \varnothing 10 mm.
 - For the air outlet (Ducted Version), drill according to the diameter of the external air exhaust duct connection.
- Insert two screws of the following type, crossing them and leaving 4-5 mm from the ceiling:
 - For concrete ceilings, use the appropriate plugs for the screw size (not provided).
 - for Cavity ceiling with inner space, with wall thickness of approx. 20 mm, Screws **12h**, supplied.
 - For wooden beam ceilings, use 4 wood screws (not provided).
 - For wooden shelf, use 4 screws **12g** with washers **22** and nuts **23**, provided.

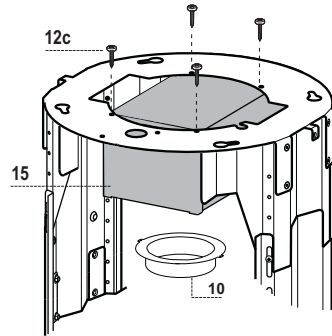
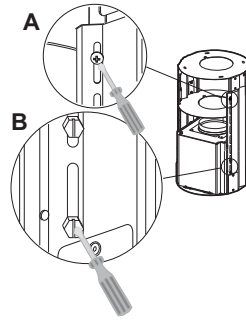
PREPARATION OF THE FRAME FOR THE HOOD IN RECYCLING VERSION

In case the hood is used in recycling version it is necessary to prepare the frame with all the necessary connection pieces. In order to make the installation easier it is necessary to lengthen the frame:

- Unscrew the two screws **2.1** fixing the upper chimney to the frame and pull the chimney out.
- Unscrew the four safety screws placed at the top in the frame separation area. (A).
- Unscrew the eight metric screws connecting the two columns, placed on both sides of the frame (B).

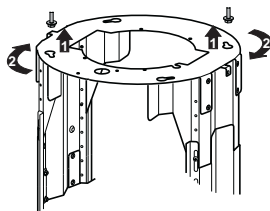
Installation of components in recycling version:

- Fix the recycling air outlet piece **15** to the upper part of the frame using four **12c** screws supplied with the hood.
- Fix the flange (ø120) **10** to the lower part of the recycling air outlet **15**.
- Put the reducer flange **9** on the hood body outlet.
- At this point, join the flanges with a pipe. In order to calculate the height of the pipe it is necessary to estimate the height of the hood (mm) and subtract 615 mm. ($H_{\text{pipe}} = H_{\text{hood}} - 615$).
- Lengthen the frame so that the pipe can be inserted. Place the pipe between the two flanges and block it. Make sure that the height of the frame is correct considering the height of the cooker hood ($H_{\text{frame}} = H_{\text{hood}} - 184$). Adjust the height of the frame and tighten again the earlier removed screws. Tighten again the safety screws in order to give more stability to the structure.
- Fix the pipe with the pipe clamps **25**.



FIXING THE FRAME

- Lift the frame up, making sure that the index over the frame plate is turned forwards.
- Fit the frame slots onto the two screws inserted in the ceiling as above, and turn until reaching the centre of the adjustment slot.
- Tighten the two screws and fasten the other two screws provided; before locking the screws completely, it is possible to adjust the frame by turning it, making sure that the screws do not come out of their housing in the adjustment slot.
- The Frame must be securely fastened so as to support both the weight of the Hood and the stress caused by occasional axial pressure against the fitted Appliance. After fixing, make sure that the base is stable even when the Frame is subjected to lateral stress.
- If the Ceiling is not strong enough in the area where the hood is to be fixed, the Installer must strengthen the area using suitable plates and counterplates anchored to resistant structures.



Connections

AIR OUTLET DUCTING VERSION

When installing the Ducting version, join the Hood to the outlet duct using a rigid or flexible pipe $\varnothing 150$ or 120 mm, selection of which is at the discretion of the installation technician.

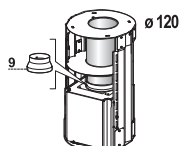
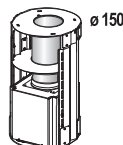
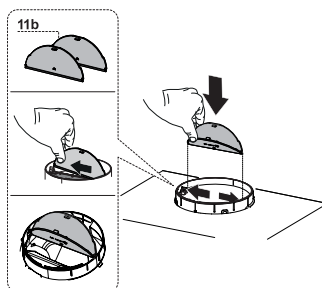
- Insert flaps **11b** on the Hood Canopy Outlet.

Connecting the $\varnothing 150$ pipe

- Fasten the pipe using suitable pipe clamps. The materials required to do so are not provided.

Connecting the $\varnothing 120$ pipe

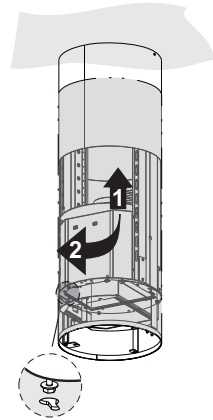
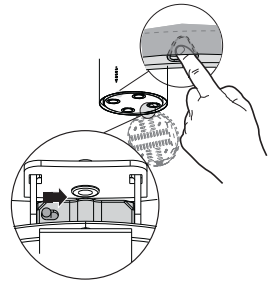
- To connect using a $\varnothing 120$ mm pipe, insert the reduction Flange **9** onto the Hood Canopy Outlet.
- Fasten the pipe using suitable pipe clamps. The materials required to do so are not provided.
- In both cases, any Activated Charcoal Filters must be removed.



Installing of the chimney and fixing of the hood

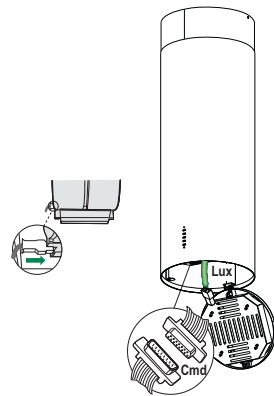
When the hood is installed in recycling version the chimney has to be positioned with the slots upwards. When the hood is installed in ducting version it has to be positioned in the opposite way.

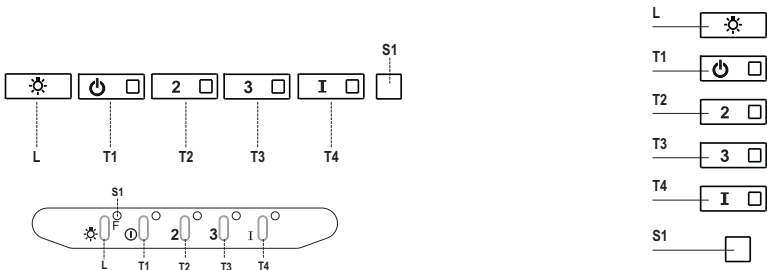
- Place the chimney on the frame and fix it to the upper part of it with the earlier removed screws. When installing the hood in recycling version make sure that the slots correspond to the air outlet of the recycling air outlet piece **15**.
- Open the lighting unit by slightly pulling the notch. Remove the unit from the hood by sliding the fixing pivot.
- Remove the filter pushing it towards the back side of the hood unit and simultaneously pulling downwards.
- Remove possible charcoal filters.
- In order to fix the hood body to the frame insert the 4 screws **12f** in their seats. It is necessary to leave at least 4-5 mm gap between the screw heads and the frame plate.
- Hook the hood canopy to the frame and turn it to the left until it reaches the stop, then lock the screws immediately to prevent the hood canopy from falling out accidentally.



ELECTRICAL CONNECTION

- Connect the Hood to the mains power supply, inserting a two-pole cut-out switch with contact aperture of at least 3 mm along the line.
- Ensure that the supply cable connector is properly inserted into the Suction device socket.
- **Remember to connect the two cables inside the hood. One of the cables must be connected to the command and the other to the lights.**
- Hook up the Commands connector **Cmd**. Please do not pull the cable in order to avoid the cable from detaching.
- Hook up the Spotlights connector **Lux** to the socket provided behind the lighting unit cover.
- For the Recirculation Version, fit the Activated Charcoal Odour Filter.
- Replace the filters and the lighting unit.





Control panel

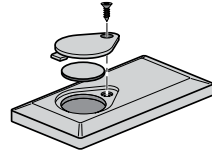
Button	Led	Function
L	-	Turns the lights on/off at maximum strength.
T1	Fixed	Turns the motor on/off at speed one.
T2	Fixed	Turns the Motor on at speed two.
	-	Press and hold the button for approximately 3 seconds, with all the loads turned off (Motor and Lights), to turn the Activated Charcoal Filter alarm on. The relevant LED flashes twice to confirm. To turn the alarm off, press the button again and hold for at least 3 seconds. The relevant LED flashes once.
T3	Fixed	Turns the Motor on at speed three.
	-	Press and hold the button for approximately 3 seconds, with all the loads turned off (Motor and Lights), to perform a reset of Filter saturation alarm. The LED S1 flashes three times.
T4	Fixed	Turns the Motor on at INTENSIVE Speed. This speed is timed to run for 6 minutes. At the end of this time, the system returns automatically to the speed that was set before. If it is activated with the motor turned off, the hood will switch to OFF at the end of the time.
	-	Press and hold for 3 seconds to enable the remote control, indicated by the LED flashing twice. Press and hold for 3 seconds to disable the remote control, indicated by the LED flashing just once.
S1	Fixed	Signals the Metal Grease Filter saturation alarm, indicating that it is necessary to wash the filters. The alarm is triggered after the Hood has been in operation for 100 working hours.
	Flashing	When this is activated, it signals the Activated Charcoal Filter saturation alarm, indicating that the filter must be changed; the Metal Grease Filters must also be washed. The Activated Charcoal Filter saturation alarm comes into operation after the Hood has been working for 200 hours.

CARE AND CLEANING

REMOTE CONTROL (OPTIONAL)

This appliance can be commanded using a remote control, powered by a CR2032 type 3 V battery (not supplied).

- Do not place the remote control near heat sources.
- Do not discard the batteries with normal waste, they must be put into the specific containers.



Grease filters

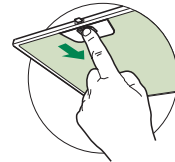
CLEANING METAL SELF- SUPPORTING GREASE FILTERS

Alarm signal reset

- Switch off the lights and extractor motor.
- Press button **T3** for at least 3 seconds, until the leds start to flash.

Cleaning the filters

- The filters are washable and must be cleaned when the LED **S1** lights up or at least every 2 months of operation, or more frequently for particularly heavy usage.
- Open the lighting unit by pulling on the noth.
- Remove the filters one at a time by pushing them towards the back of the group and pulling down at the same time.
- Wash the filters, taking care not to bend them. Allow them to dry before refitting.
- When refitting the filters, make sure that the handle is visible on the outside.
- Replace the lighting unit.



Activated Charcoal Filter (Recirculation Version)

This cannot be washed or regenerated, and must be changed when led **S1** starts to flash, or at least once every 4 months. The Alarm signal, if it has been activated, only appears when the Suction motor is turned on.

Activating the alarm signal

- In Recirculation Version Hoods, the Filter Saturation Alarm must be activated on installation or at a later date.
- Turn the Lights and the Suction Motor off.
- Press button **T2** and hold it for **5 seconds** until the LED flashes twice in confirmation:

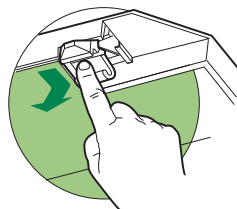
CHANGING

Resetting the alarm signal

- Turn the Lights and the Suction Motor off.
- Press **T3** and hold for at least 3 seconds, until LED flashes three times in confirmation.

Changing the Filter

- Open the lighting unit by pulling on the notch provided.
- Remove the Metal Grease Filter
- Remove the saturated Activated charcoal filter, using the hooks provided.
- Fit the new Filter, hooking it into place.
- Fit the Grease filter and the Light Unit back into place.



Lighting unit

- For replacement contact technical support ("To purchase contact technical support").

TURVALLISUUSTIETOJA

i Lue tämä käyttöopas huolellisesti ennen laitteen asentamista ja käyttöä oman turvallisuutesi ja laitteen oikean toiminnan takaamiseksi. Pidä nämä ohjeet aina laitteen lähettyvillä, niiden täytyy seurata laitetta myös, jos se myydään tai luovutetaan kolmansille osapuolille. On tärkeää, että käyttäjät tuntevat laitteen toiminta- ja turvallisuusominaisuudet.

⚠ Johtojen liittäminen saa tehdä vain pätevä teknikko.

- Valmistaja ei vastaa väärästä asennuksesta tai käytöstä aiheutuneista vahingoista.
- Pienin turvallinen etäisyys keittotason ja liesituulettimen välillä on 650 mm (jotkut mallit voidaan asentaa alemmas, katso työ- ja asennusmittoja koskevaa kappaletta).
- Jos kaasukäyttöisen keittotason asennusohjeet määräävät, että etäisyyden on oltava yllä mainittua suurempi, ohjeita on noudatettava.
- Tarkista, että sähköverkon jännite vastaa liesituulettimen sisällä olevan arvokilven tietoja.
- Erotuskytkimet on asennettava kiinteään järjestelmään kaapelointijärjestelmiä koskevien määräysten mukaisesti.
- Luokan I laitteita varten on tarkistettava, että kodin sähköverkossa on sopiva maadoitus.
- Liitä liesituuletin savuhormiin putkella, jonka läpimitta on vähintään 120 mm. Savun poistoreitin on oltava mahdollisimman lyhyt.
- Kaikkia ilman poistoa koskevia määräyksiä on noudatettava.
- Älä liitä liesituuletinta savukanaviin, joiden kautta poistetaan palamishöyryjä (esimerkiksi lämmityskattilat, takat jne.).

- Jos liesituuletinta käytetään yhdessä muiden kuin sähkölaitteiden (esimerkiksi kaasulaitteiden) kanssa, on pystyttävä takaamaan riittävä huoneen tuuletus poistokaasujen paluuvirtauksen estämiseksi. Kun liesituuletinta käytetään yhdessä muiden kuin sähkölaitteiden kanssa, huoneen negatiivinen paine ei saa ylittää 0,04 mbar, jotta liesituuletin ei palauta höyryä huoneeseen.
- Ilmaa ei saa poistaa sellaisen putken kautta, jota käytetään kaasulla tai muilla polttoaineilla toimivien laitteiden savun imemiseen.
- Jos virtajohto vahingoittuu, sen saa vaihtaa vain valmistaja tai huoltopalvelun teknikko.
- Kytke pistoke voimassa olevien määräysten mukaiseen ja saavutettavissa olevaan pistorasiaan.
- Savunpoistoa koskevien teknisten ja turvallisuuteen liittyvien toimenpiteiden suhteen on noudatettava tarkkaan paikallisten viranomaisten antamia määräyksiä.


⚠ VAROITUS: Poista suojakalvot ennen liesituulettimen asentamista.

- Käytä vain liesituulettimelle sopivia ruuveja ja kiinnitysosia.

⚠ VAROITUS: Jos ruuveja ja kiinnitysosia ei asenneta näiden ohjeiden mukaisesti, voi aiheutua sähköiskuvaara.


- Älä katso suoraan optisilla välineillä (kiikari, suurennuslasi...).
- Älä liekitä liesituulettimen alla: se voi aiheuttaa tulipalon.
- Yli 8-vuotiaat lapset ja psyykkisesti, fyysisesti tai sensorisesti rajoitteiset henkilöt tai kokemattomat ja taitamattomat henkilöt saavat käyttää tätä laitetta vain, jos heitä valvotaan ja heille on annettu tiedot laitteen turvallisesta käytöstä ja siihen liittyvistä vaaroista. Varmista, etteivät lapset pääse leikkimään laitteella. Lapset eivät saa tehdä käyttäjän puhdistus- ja huoltotoimenpiteitä ilman valvontaa.
- Valvo lapsia ja varmista, etteivät he pääse leikkimään laitteella.

- Tätä laitetta eivät saa käyttää henkilöt (lapset mukaan lukien), joiden mielen, ruumiin tai aistien terveys on heikentynyt tai joilla ei ole riittävää kokemusta ja tietoa, ellei heitä valvota tai ole valmennettu.

 Kosketettavissa olevat osat voivat tulla hyvin kuumiksi keittolaitteiden käytön aikana.

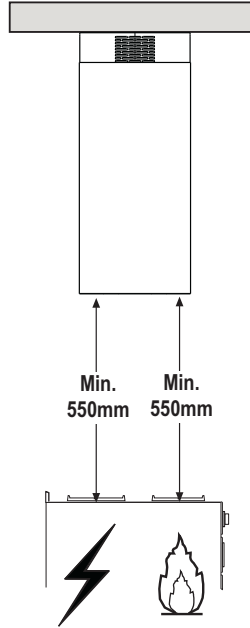
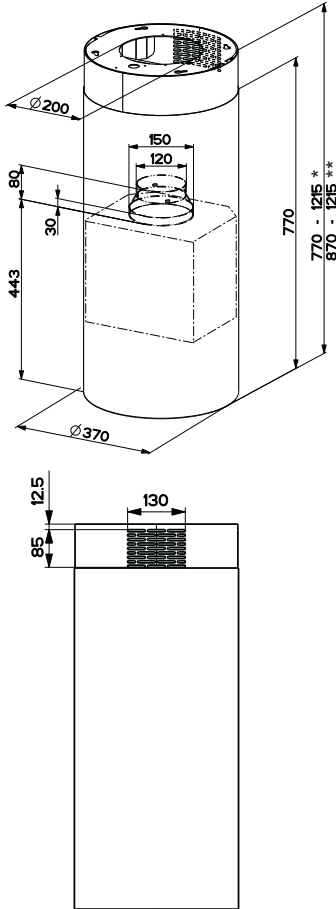
- Puhdista ja/tai vaihda suodattimet määrätyn ajan kuluttua (tulipalovaara). Katso kappaletta Huolto ja puhdistus.

- Tilassa täytyy olla asianmukainen tuuletus kun liesituuletinta käytetään samanaikaisesti kaasulla tai muilla polttoaineilla toimivien laitteiden kanssa (ei koske laitteita, jotka poistavat tilaan vain ilmaa).

- Merkki  tuotteessa tai sen pakkauksessa osoittaa, että tuotetta ei saa hävittää tavallisen kotitalousjätteen mukana. Tuote täytyy toimittaa asianmukaiseen sähköisten ja elektronisten osien keräyskeskukseen. Varmistamalla, että tuote hävitetään oikealla tavalla, on mahdollista auttaa välttämään ympäristöä ja henkilöiden terveyttä uhkaavia haittavaikutuksia, joita voi syntyä vääränlaisesta hävittämisestä. Lisätietoja tuotteen kierrättämisestä saat paikallisilta viranomaisilta, paikallisesta jätehuollosta tai liikkeestä, josta tuote on ostettu.

MITAT JA OSAT

Mitat

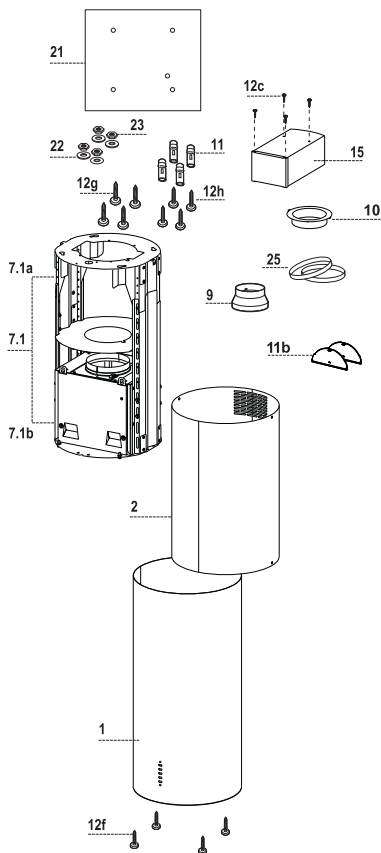


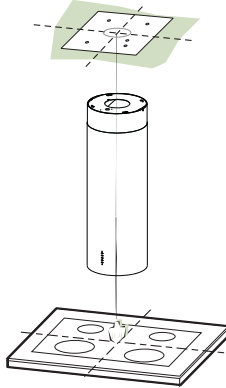
* Liesituulettimen imuverion mitat

** Liesituulettimen suodatusversion mitat

Osat

Viite	Lkm	Tuotteen osat
1	1	Liesituulettimen runko, johon kuuluu: Kytkimet, valo, suodattimet, alahormi
2	1	Ylähormi
7.1	1	Imurilla varustettu teleskooppiteline, johon kuuluu:
7.1a	1	Yläteline
7.1b	1	Alateline
9	1	Sovituslaippa \varnothing 150-120 mm
10	1	Laippa \varnothing 120 mm
11b	2	Läppä
15	1	Suodatusversion ilman ulostuloliitos
25		Kiinnittimet (ei kuulu toimitukseen)
Viite	Lkm	Asennuksen osat
11	4	Ruuvitulpat \varnothing 10
12c	4	Ruuvit 2,9 x 6,5
12f	4	Ruuvit M6 x 15
12g	4	Ruuvit M6 x 80
12h	4	Ruuvit 5,2 x 70
21	1	Porausmalline
22	4	Välirenkaat \varnothing 6,4
23	4	Mutterit M6.
Lkm	Asiakirjat	
1		Käyttöohjeet





Katon/hyllyn poraaminen ja kehikon kiinnitys

KATON/HYLLYN PORAAMINEN

- Merkitse luotilangan avulla keittotason keskipiste kattoon/hyllyyn.
- Aseta kattoon/hyllyyn toimitettu liesituulettimen malline **21** siten, että keskipiste tulee kohdalleen ja että keittotason ja mallineen sivut ovat samalla kohdalla.
- Merkitse mallineen reikien keskipisteet.
- Poraat reiät seuraavalla tavalla:
 - Massiivibetonikatto: käytettyjen betonimuuriankkurien mukaan.
 - Tiilinen välikatto, kestävä paksuus 20 mm: \varnothing 10 mm (laita heti paikalleen toimitetut tulpat **11**).
 - Puupalkkikatto: käytettyjen puuruuvien mukaan.
 - Puuhylly: \varnothing 7 mm.
 - Virtajohdon aukko: \varnothing 10 mm.
 - Ilman ulostulo (Imuversio): ulkopuolisen poistoputken halkaisijan mukaan.
- Ruuvaa kaksi ruuvia vastakkaisiin kulmiin ja jätä niiden kanta noin 4 - 5mm:n etäisyydelle seinästä:
 - Massiivibetoniin, betonimuuriankkurit, eivät kuulu toimitukseen.
 - Tiiliseen välikattoon, kestävä paksuus noin 20 mm, toimitetut ruuvit **12h**.
 - Puupalkkikattoon, puuruuvit, eivät kuulu toimitukseen.
 - Puuhyllyyn, toimitetut ruuvit **12g**, välirenkaat **22** ja mutterit **23**.

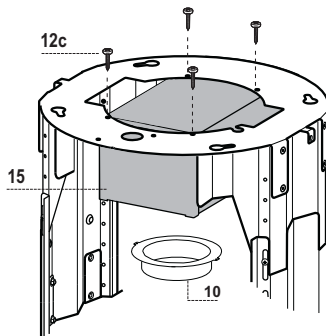
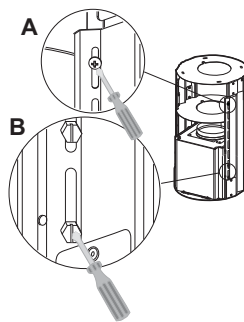
TELINEEN VALMISTELU SUODATUSLIITÄNTÄÄ VARTEN

Mikäli liesituuletin asennetaan suodatusstavassa, telineeseen on sijoitettava kaikki tämän version vaatimat liitokset. Suodatusversion osien asentamista varten telinettä täytyy pidentää seuraavalla tavalla:

- Ruuvaa auki ylhörmoin 2.1 kaksi kiinnitysruuvia ja irrota hormi.
- Ruuvaa auki neljä telineen irrotusalueen yläosan turvaruuvia. (A)
- Ruuvaa auki kahdeksan ruuvia, jotka kiinnittävät telineen sivuilla olevat kaksi pystytukea. (B)

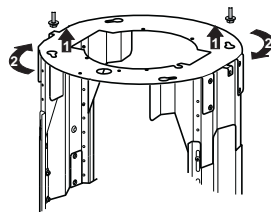
Osien asentaminen suodatusversiota varten:

- Kiinnitä suodatusliitos **15** telineen yläosaan 4 toimitetulla ruuvilla **12c**.
- Kierrä laippa **10** (Ø 120) suodatusliitoksen **15** alaosaan.
- Aseta sovituslaippa **9** imurin ulostuloon.
- Nyt nämä kaksi laippaa on liitettävä putkeen. Putken korkeuden määrittämiseksi on arvioitava liesituulettimen korkeus (mm) ja vähennettävä siitä 615 mm. (H putki = H liesituuletin-615).
- Pidennä telinettä sen verran, että voit työntää putken siihen ja laita se paikoilleen kiinnittämällä putki kahden laipan väliin. Varmista, että telineen korkeus vastaa liesituulettimen haluttua korkeutta (H teline = H liesituuletin - 184). Säädä telineen korkeus sopivaksi ja ruuvaa kiinni aikaisemmin irrottamasi ruuvit. Telineen tukevuuden parantamiseksi ruuvaa neljä turvaruuvia takaisin viimeiseen reikään.
- Kiinnitä putki toimitetuilla kiinnittimillä **25**.



TELINEEN KIINNITTÄMINEN

- Nosta teline varmistaen, että telineen laatassa oleva merkki on eteenpäin.
- Kiinnitä telineen aukot kahteen kattoon sijoitettuun ruuviin ja käännä säätöaukon keskipisteeseen saakka.
- Kiristä kaksi ruuvia ja ruuvaa paikoilleen toiset kaksi toimitettua ruuvia. Ennen ruuvien lopullista kiristämistä on mahdollista tehdä säätöjä kääntämällä telinettä. Varo, etteivät ruuvit irtoa säätöaukosta.
- Teline täytyy kiinnittää tukevasti sekä liesituulettimen painon että asennettuun laitteeseen mahdollisesti kohdistuvien sivukuormitusten mukaan. Kun kiinnitys on tehty, varmista että pohja on vakaa, vaikka telineeseen kohdistuisi taivutusrasitusta.
- Mikäli katto ei ole kiinnityskohdassa riittävän tukeva, asentajan täytyy vahvistaa sitä laatoilla ja vastalaatoilla, jotka kiinnitetään rakenteellisesti lujiin osiin.



Liitännät

IMUVERSION ILMAN ULOSTULO

Imuversioasennuksessa liesituuletin liitetään ulostuloputkeen putkella tai letkulla, \varnothing 150 tai 120 mm, jonka valitsee asentaja.

• Aseta läpät **11b** liesituulettimen rungon ulostuloon.

Putken liitäntä \varnothing 150

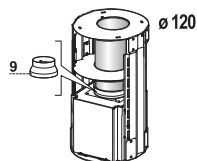
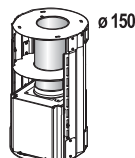
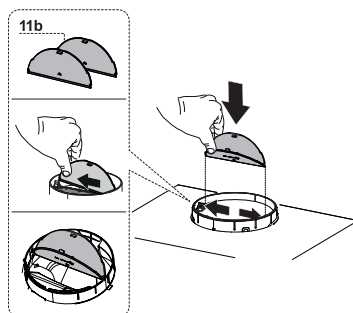
• Kiinnitä putki sopivilla kiinnittimillä. Materiaali ei kuulu toimitukseen.

Putken liitäntä \varnothing 120

• Putken \varnothing 120 mm liittämistä varten liesituulettimen rungon ulostuloaukkoon on asetettava kavennuslaippa **9**.

• Kiinnitä putki sopivilla kiinnittimillä. Materiaali ei kuulu toimitukseen.

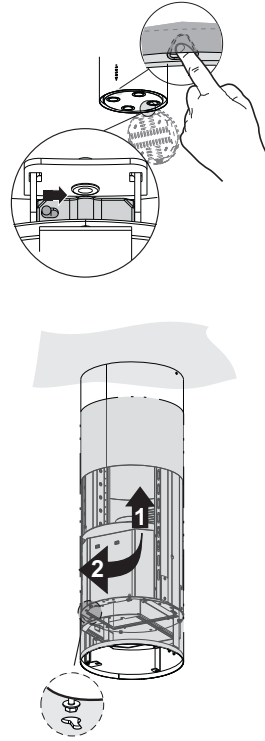
• Molemmissa tapauksissa poista mahdolliset aktiivihiihahajusodattimet.



Hormin asennus ja liesituulettimen rungon kiinnittäminen

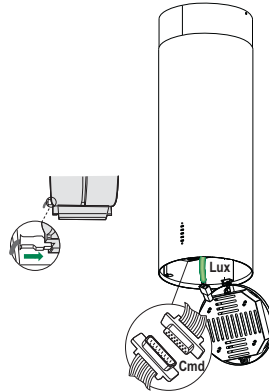
Hormi on käännettävä niin, että aukot ovat ylöspäin, jos liesituuletin asennetaan suodatusstavassa. Imutavassa sen sijaan aukot ovat alaspäin.

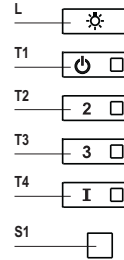
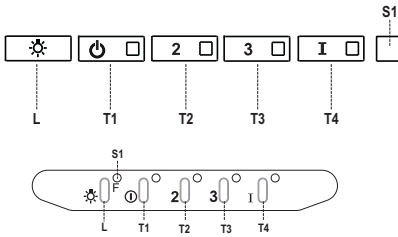
- Työnnä ylähormi alhaalta ylös ja kiinnitä se yläosasta telineeseen 2 aikaisemmin irrottamallasi ruuvilla. Suodatusliitännässä on varmistettava, että hormin aukot ovat suodatusliitoksen **15** ulostulon kohdalla.
- Avaa valaistusryhmä vetämällä kielekkeestä ja irrota se liesituulettimen rungosta antamalla kiinnitystapin liukua ulos.
- Poista rasvasuodatin työntämällä sitä ryhmän takaosaan päin ja vetämällä samalla alas.
- Poista mahdolliset aktiivihiihahusuodattimet.
- Valmistelee liesituulettimen rungon kiinnitys telineeseen ruvaamalla 4 ruuvia **12f** omille paikoilleen. Jätä ruuvien kannan ja telineen laatan väliin ainakin 4-5 mm tilaa.
- Kiinnitä liesituulettimen runko telineeseen ja käännä vasempaan vasteeseen saakka. Kiristä ruuvit heti, jotta välttät liesituulettimen putoamisen vahingossa.



SÄHKÖLIITÄNTÄ

- Liitä liesituuletin sähköverkkoon asentamalla kaksinapainen kytkin, jonka koskettimien väli on vähintään 3 mm.
- Varmista, että virtajohdon liitin on oikein kiinnitetty imurin pistorasiaan.
- **Muista kytkeä kuvun sisällä roikkuvat kaksi kaapelia. Toinen kaapeleista kytketään näppäimistölle ja toinen valoille.**
- Liitä kytkimien liitin **Cmd**. Älä vedä johtoa, jotta se ei irtoa.
- Liitä valojen liitin **Lux** valaistusryhmän kannen takana olevaan pistorasiaan.
- Suodatusversiota varten asenna aktiivihiihahusuodatin.
- Aseta rasvasuodatin takaisin paikalleen ja sulje valaistusryhmä.





Käyttöpaneeli

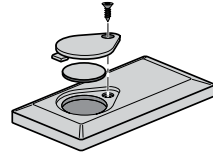
Painike	Merkkivalo	Toiminto
L	-	Sytyttää /sammuttaa valon suurimmalla kirkkaudella.
T1	Kiinteä	Käynnistää/sammuttaa moottorin ensimmäisellä nopeudella.
T2	Kiinteä	Käynnistää moottorin toisella nopeudella.
	-	Jos pidät painiketta painettuna noin 5 sekuntia kun kaikki toiminnot (moottori ja valo) on sammutettu, aktivoituu aktiivihiihluodattimen hälytys ja vastaava merkkivalo vilkkuu kaksi kertaa. Se poistetaan käytöstä painamalla painiketta uudelleen 5 sekunnin ajan, vastaava merkkivalo vilkkuu kerran.
T3	Kiinteä	Käynnistää moottorin kolmannella nopeudella.
	-	Jos pidät painiketta painettuna noin 3 sekuntia kun kaikki toiminnot (moottori ja valo) on sammutettu, tapahtuu kuittaus ja merkkivalo S1 vilkkuu kolme kertaa.
T4	Kiinteä	Käynnistää moottorin TEHONOPEUDELLA. Nopeus on ajastettu 6 minuutin ajaksi. Kun aika on kulunut järjestelmä palaa automaattisesti aikaisemmin valitulle nopeudelle. Jos käynnistät toiminnon moottorin ollessa sammutettu, määrätyn ajan kuluttua laite palaa tapaan OFF.
	-	Jos pidät painiketta painettuna 5 sekunnin ajan, kaukosäädin aktivoituu ja sen merkkivalo vilkkuu kaksi kertaa. Jos pidät painiketta painettuna 5 sekunnin ajan, kaukosäädin poistuu käytöstä ja sen merkkivalo vilkkuu vain kerran.
S1	Kiinteä	Osoittaa metallisten rasvasuodattimien täyttymisen hälytyksen. Suodattimet täytyy pestä. Hälytys käynnistyy liesituulettimen 100 käyttötunnin jälkeen.
	Vilkkuva	Osoittaa aktivoituessaan aktiivihiihlahusuodattimen täyttymisen hälytyksen. Suodatin täytyy vaihtaa ja metalliset rasvasuodattimet täytyy pestä. Aktiivihiihlahusuodattimen täyttymisen hälytys käynnistyy liesituulettimen 200 käyttötunnin jälkeen.

PUHDISTUS JA HUOLTO

KAUKO-OHJAIN (LISÄVARUSTE)

Tätä laitetta voidaan ohjata kauko-ohjaimella, joka toimii 3 V paristolla, tyyppi CR2032 (ei kuulu toimitukseen).

- Älä laita kauko-ohjainta lämmönlähteiden lähelle.
- Älä jätä paristoja luontoon vaan laita ne asianmukaisiin keräysastioihin.



Metalliset rasvasuodattimet

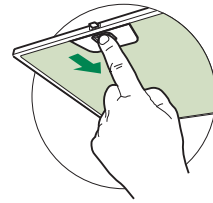
METALLISTEN RASVASUODATTIMIEN PUHDISTUS

Hälytyksen kuittaus

- Sammuta valo ja imumoottori.
- Paina painiketta **T3** ainakin 3 sekunnin ajan, kunnes led alkaa vilkkua.

Suodattimien puhdistus

- Ne voidaan pestä astianpesukoneessa. Ne täytyy pestä kun merkkivalo **S1** syttyy tai vähintään 2 käyttökuukauden välein.
- Avaa valaistusryhmä vetämällä kiinnikettä.
- Poista suodattimet yksi kerrallaan työntämällä niitä ryhmän takaosaan päin ja vetämällä samalla alas.
- Pese suodattimet, mutta varo, ettet taita niitä. Anna niiden kuivua ennen kuin laitat ne takaisin paikoilleen.
- Asenna ne paikoilleen niin että kahva on näkyvässä ulkopuolella.
- Sulje valaistusryhmä.



Aktiivihiihijajusuodatin (Suodatinversio)

Suodatinta ei voi pestä eikä uudistaa, se täytyy vaihtaa kun merkkivalo **S1** vilkkuu tai vähintään 4 kuukauden välein. Hälytys tapahtuu vain imumootorin ollessa toiminnassa, jos hälytys on aktivoitu.

Hälytyksen aktivoiminen

- Liesituulettimien suodatinversiossa suodattimien täyttymisen hälytys täytyy aktivoida asennusvaiheessa tai myöhemmin.
- Sammuta valo ja imumoottori.
- Paina painiketta **T2** ainakin **5 sekunnin ajan**, kunnes led vilkkuu kaksi kertaa.

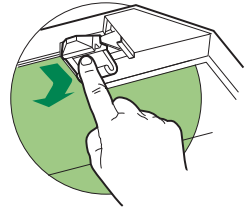
VAIHTO

Hälytyksen kuittaus

- Sammuta valo ja imumoottori.
- Paina painiketta **T3** ainakin 3 sekunnin ajan, kunnes led **F** vilkkuu kolme kertaa.

Suodattimen vaihtaminen

- Avaa valaistusryhmä vetämällä kiinnikettä.
- Irrota rasvasuodatin.
- Poista aktiivihiihijajusuodatin irrottamalla se koukuista.
- Asenna uusi suodatin ja kiinnitä se paikalleen.
- Aseta metalliset rasvasuodattimet uudelleen paikoilleen.
- Sulje valaistusryhmä.



Valaistus

- Vaihtoa varten ota yhteys huoltopalveluun ("Hankintaa varten ota yhteys huoltopalveluun").

SÄKERHETSINFORMATION

i För din säkerhet och korrekt funktion av apparaten ber vi dig läsa denna bruksanvisning noggrant innan apparaten installeras och tas i bruk. Förvara alltid denna bruksanvisning tillsammans med apparaten, så att du kan lämna över den till ev. ny ägare. Det är viktigt att användarna känner till apparatens samtliga funktions- och säkerhetsegenskaper.

⚠ Anslutningen av elkablarna ska utföras av en behörig tekniker.

- Tillverkaren ansvarar inte för eventuella skador som orsakas av felaktig installation eller användning.
- Min. säkerhetsavstånd mellan spishällen och köksfläkten är 650 mm (vissa modeller kan installeras på en lägre höjd; se avsnittet gällande drift- och installationsmått).
- Om installationsanvisningarna för gasspishällen anger ett större avstånd än det ovan angivna, måste det beaktas.
- Kontrollera att nätspänningen motsvarar den som anges på märkplåten inuti köksfläkten.
- Det är nödvändigt att installera frånskiljare i det fasta elsystemet i enlighet med kabeldragningsbestämmelserna.
- För apparater i klass I, säkerställ att bostadens elsystem har en lämplig jordanslutning.
- Anslut köksfläkten till imkanalen med ett rör med min. diameter på 120 mm. Sträckan där matos avleds ska vara så kort som möjligt.
- Följ gällande lagstiftning angående utsugning av luft.
- Anslut inte köksfläkten till rökgaskanaler för förbränningsrök från värmepannor, öppna spisar o.s.v.

- Om köksfläkten används i kombination med andra apparater som inte är eldrivna (t.ex. gasdrivna apparater), ska du sörja för tillräcklig ventilation av lokalen för att förhindra returflöde av förbränningsgas. När köksfläkten används i kombination med andra apparater som inte är eldrivna, får lokalens negativa lufttryck inte överskrida 0,04 mbar för att förhindra att rök sugts tillbaka in i lokalen via köksfläkten.
- Luftutsläppet får inte ske genom en rökgaskanal som används av gasdrivna eller andra bränsledrivna apparater.
- Om elkabeln skadas, ska den bytas ut av tillverkaren eller av en servicetekniker.
- Anslut stickkontakten till ett lättillgängligt vägguttag som är i överensstämmelse med gällande bestämmelser.
- Följ noggrant föreskrifterna från de lokala myndigheterna när det gäller de tekniska och säkerhetsmässiga åtgärder som ska vidtas för avledning av rök.


⚠️ WARNING: Ta bort skyddsfilmerna innan du installerar köksfläkten.


- Använd endast skruvar och beslag som är lämpliga för köksfläkten.

⚠️ WARNING: Om det inte installeras skruvar och beslag som överensstämmer med dessa anvisningar kan det leda till risk för elektrisk stöt.

- Titta inte direkt med optiska instrument (kikare, förstoringsglas o.s.v.).
- Flambra inte under köksfläkten. Det finns risk för eldsvåda.
- Denna apparat får användas av barn (över 8 år), personer med nedsatt fysisk, sensorisk eller mental funktionsförmåga eller personer som saknar erfarenhet eller kunskap om hur den används, under förutsättning att de övervakas av någon som kan ansvara för deras säkerhet eller som har lärt dem hur apparaten används på ett säkert sätt och gjort dem medvetna om riskerna. Barn får inte leka med apparaten. Rengöring och underhåll som ska utföras av användaren får inte utföras av barn utan tillsyn av en vuxen.
- Håll barn under uppsikt så att de inte leker med apparaten.

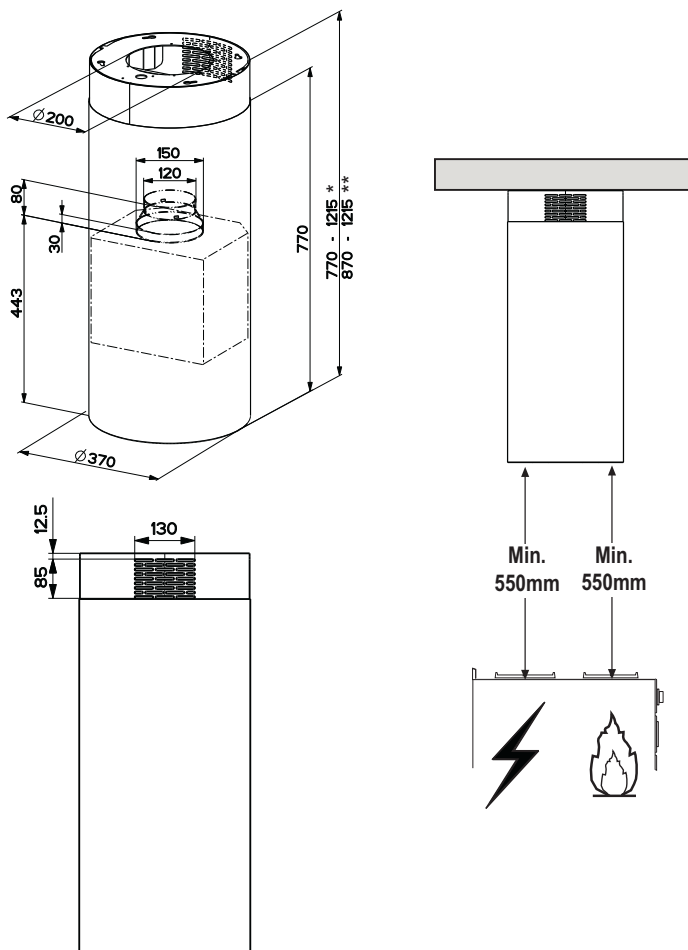
- Denna apparat får inte användas av personer (inkl. barn) med nedsatt fysisk, sensorisk eller mental funktionsförmåga eller personer som saknar erfarenhet eller kunskap om hur den används, om de inte övervakas och instrueras.

 De åtkomliga delarna kan bli mycket varma under användningen av spisar, matlagningsapparater o.dyl.

- Rengör och/eller byt ut filtren efter den angivna tidsperioden (brandrisk). Se avsnitt Underhåll och rengöring.
- Lokalen måste ha lämplig ventilation när köksfläkten används samtidigt med andra apparater som använder gas eller andra bränslen (gäller inte apparater som endast släpper ut luft i lokalen).
- Symbolen  på apparaten eller emballaget anger att apparaten inte får hanteras som hushållsavfall. Den ska i stället lämnas in på en uppsamlingsplats för återvinning av el- och elektronikkomponenter. Genom att säkerställa att apparaten hanteras på rätt sätt bidrar du till att förebygga eventuella negativa miljö- och hälsoeffekter som kan uppstå om apparaten bortskaffas som vanligt avfall. För ytterligare upplysningar om återvinning av apparaten bör du kontakta lokala myndigheter, sophämtningstjänsten eller affären där du köpte apparaten.

EGENSKAPER

Mått

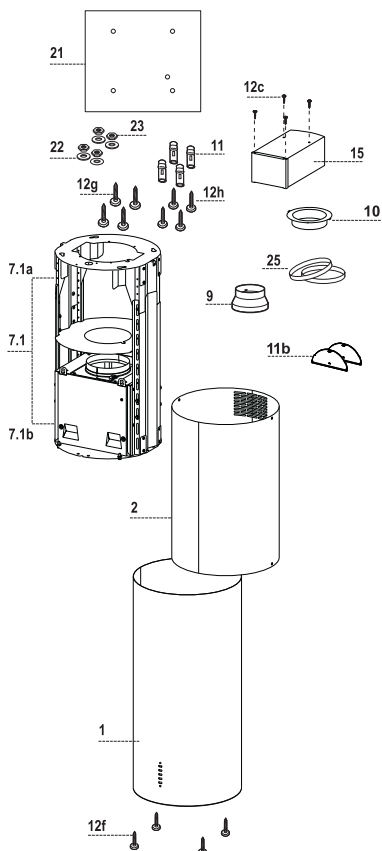


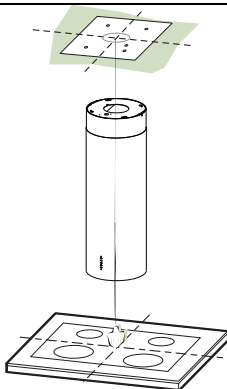
* Mått för köksfläkt i sugande version.

** Mått för köksfläkt i filtrerande version.

Komponenter

Ref.	Antal	Produktkomponenter
1	1	Undre skorsten komplett med reglage, belysning, filter
2	1	Övre skorsten
7.1	1	Teleskopiskt stativ komplett med fläkt bestående av:
7.1a	1	Övre stativ
7.1b	1	Undre stativ
9	1	Reduceringsstos ø 150-120 mm
10	1	Stos ø 120
11b	2	Klaffar
15	1	Luftstyrning
25	2	Slangklammer
Ref.	Antal	Installationskomponenter
11	4	Expansionspluggar ø 10
12c	4	Skrubar 2,9 x 9,5
12f	4	Skrubar M6 x 10
12g	4	Skrubar M6 x 80
12h	4	Skrubar 5,2 x 70
21	1	Bormall
22	4	Brickor ø 6,4
23	4	Muttrar M6
Antal	Dokumentation	
1	Bruksanvisning	





Borring i vägg och fastsättning av konsoler

BORRNING I TAK/HYLLA

- Med hjälp av ett sänklod markera spishällens mittpunkt i taket/på hyllan.
- Placera den medföljande borrningsmallen **21** mot taket/hyllan, och låt dess mittpunkt sammanfalla med den projicerade mittpunkten och anpassa mallens axlar med spishällens axlar.
- Markera mallens hål.
- Borra följande hål:
 - Innertak i betong: enligt använd expansionsplugg för betong.
 - Innertak i tegelsten med luftrum, med en motståndskraftig tjocklek på 20 mm: \varnothing 10 mm (sätt omgående i de medföljande expansionspluggarna **11**).
 - Innertak i bjälklag: enligt använd träskruv.
 - Hylla i trä: \varnothing 7 mm.
 - Passage för elkabel: \varnothing 10 mm.
 - Luftutsläpp (sugande version): enligt anslutningsdiametern till den externa avledningen.
- Skruva fast 2 skruvar i kors (diagonalt) och lämna 4-5 mm från innertaket:
 - för betong, expansionsplugg för betong, medföljer inte.
 - för tegelsten med luftrum, med en motståndskraftig tjocklek på cirka 20 mm, medföljande **12h** skruvarna.
 - för bjälklag, träskruv, medföljer inte.
 - för hylla i trä, medföljande skruvar **12g** med brickor **22** och muttrar **23**.

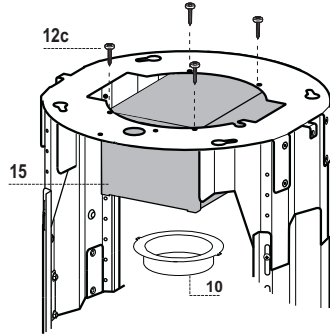
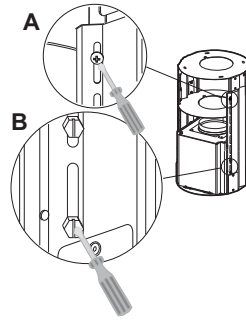
FÖRBEREDELSE VID ANVÄNDNING SOM KOLFILTERFLÄKT

Om fläkten ska användas som kolfilterfläkt, måste förberedelser göras för luftanslutningar. För att göra detta måste stativets längd justeras.

- Skruva loss de två skruvarna **2.1** som fäster den övre skorstenen till stativet och dra ut den från stativet.
- Skruva loss de fyra säkerhetsskruvarna överst på stativets sidor (**A**).
- Skruva loss de åtta metriska skruvarna placerade på stativets sidor. (**B**).

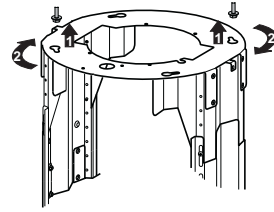
Installation av komponenter för luftanslutning:

- Fäst luftstyrningen **15** mot övre delen av stativet med hjälp av fyra skruvar **12c**.
- Fäst stos (ø120) **10** under luftstyrningen **15**.
- Fäst reduceringsstos **9** på fläkthusets luftutsläpp.
- Anslut stoserna med rör eller slang. Räkna ut längden på röret eller slangen genom att beräkna vald höjd på fläkt minus 615 mm. (Längd rör/slang = Höjd fläkt-615).
- Ställ in höjden på stativet så att rör eller slang kan monteras. Kontrollera att inställd höjd på stativet stämmer överrens med vald höjd på fläkt. (Höjd stativ = Höjd fläkt – 184 mm). Fäst stativet med tidigare bortmonterade skruvar. Skruva fast säkerhetsskruvar för att ge mer stabilitet.
- Fäst röret med medföljande slangklammer **25**.



FASTSÄTTNING AV STATIV

- Lyft upp stativet, kontrollera att det är vänt åt rätt håll.
- Haka i nyckelhålen på stativet på skruvarna i taket (1), vrid tills det tar stopp (2).
- Skruva åt det två skruvarna och skruva fast de två andra medföljande skruvarna. Innan skruvarna slutligen dras åt, finns möjlighet att justera stativet genom att vrida det, men se till att skruvarna inte lossnar ur nyckelhålet.
- Fastsättningen av stativet måste vara säker i förhållande till såväl kåpens vikt som tillfälliga tryck från sidan på monterad fläkt. Efter slutlig fastsättning kontrollera därför att basen är stabil även om stativet utsätts för tryck från sidan.
- Om innertaket inte är tillräckligt starkt i uppfästningspunkten, ska installatören se till att förstärka taket med lämpligt material.



Anslutningar

LUFTUTBLÅS I FRÅNLUFTSFUNKTION

Vid installation med frånluftsfunktion ska köksfläkten anslutas till frånluftsroret med ett rör eller en slang \varnothing 150 eller 120 mm. Det är upp till installatören att bestämma vilket.

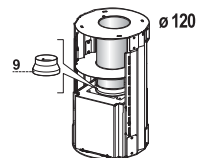
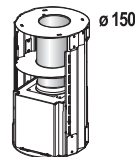
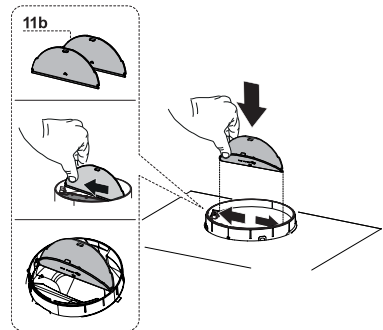
- Fäst klaffarna **11b** vid köksfläktstommens utblås.

Anslutning med rör \varnothing 150

- Fäst röret med lämpliga rörklämmor. Nödvändigt material medföljer inte.

Anslutning med rör \varnothing 120

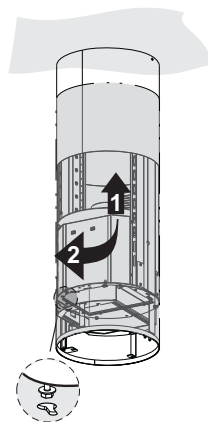
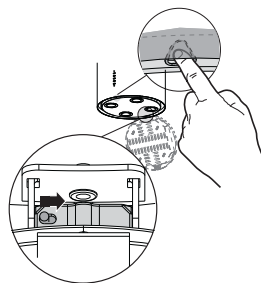
- Sätt i reduktionsflänsen **9** på köksfläktstommens utblås vid anslutningen med rör \varnothing 120 mm.
- Fäst röret med lämpliga rörklämmor. Nödvändigt material medföljer inte.
- Ta i båda fallen bort eventuella luftfilter med aktivt kol.



Montering av övre och undre skorsten

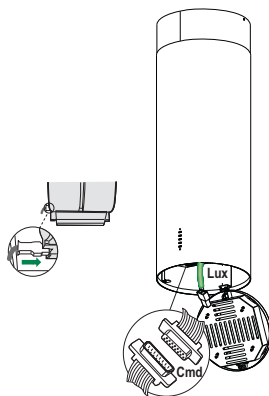
När fläkten ska användas som kolfilterfläkt måste den övre skorstenen vändas med utluftsgaller uppåt. Vid användning som frånluftsfläkt ska övre skorstenen vändas tvärtom.

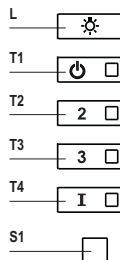
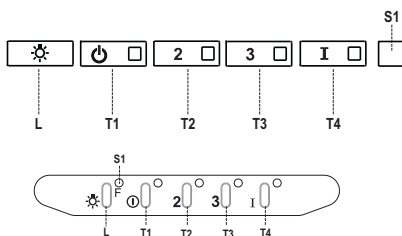
- Placera den övre skorstenen och fast den vid den övre delen av stativet med tidigare lossade skruvar. När fläkten används som kolfilterfläkt, kontrollera att luftstyrningen **15** passar mot öppningarna i skorstensdelen.
- Öppna panelen med belysning genom att dra i den. Haka av panelen genom att genom att skjuta undan fäststiftets spak.
- Ta bort filtren genom att trycka dem mot fläkten bakre del och samtidigt dra nedåt.
- Ta bort eventuella kolfilter.
- För att fästa undre skorstenen på stativet skruva in skruvarna **12f** i underkant av stativ. Skruva inte in skruvarna helt utan lämna minst 4-5 mm.
- Haka fast undre skorstenen i skruvarna, vrid åt vänster tills det tar stopp. Skruva åt skruvarna ordentligt.



Elektrisk installation

- Vid sladd med stickpropp anslut köksfläkten till jordat vägguttag. Väggtuttet ska vara åtkomligt efter installation. Annan typ av anslutning ska utföras av behörig elektriker.
- Kontroller att kontakten sitter korrekt i uttaget.
- **Kom ihåg att ansluta de två kablarna inuti köksfläkten. Den ena kablarna ska anslutas till reglaget, den andra till belysningen.**
- Anslut kontakten för kontrollerna **Cmd**. Undvik att dra i kablarna. Den kan lossna.
- Anslut kontakten för spotlights **Lux**.
- För recirkulationsmodell montera kolfilter.
- Montera fettfiltren och panel med belysning på nytt.





Kontrollpanel

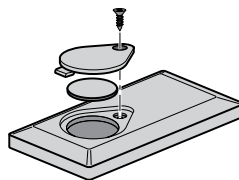
Knapp	Lysdiod	Funktion
L	-	Tänder och släcker belysningen med max. intensitet.
T1	Fast	Slår på/stänger av utsugningsmotorn på den första hastigheten.
T2	Fast	Slår på motorn på den andra hastigheten.
	-	Genom att hålla knappen intryckt i cirka 5 sekunder, när alla belastningar är avstängda (Motor+Belysning), aktiveras larmet för filter med aktivt kol med dubbel blinkning. För avaktivera det, trycker man på nytt på knappen i ytterligare 5 sekunder tills en enkel blinkning av tillhörande lysdiod.
T3	Fast	Slår på motorn på den tredje hastigheten.
	-	Genom att hålla knappen intryckt i cirka 3 sekunder, när alla belastningar är avstängda (Motor+Belysning), utförs nollställningen genom att visa en tredubbel blinkning av lysdioden S1 .
T4	Fast	Slår på utsugningsmotorn på den INTENSIVA hastigheten. Denna hastighet är tidsinställd på 6 minuter. Efter förfluten tid, återgår systemet automatiskt till den tidigare valda hastigheten. Om den har aktiverats med avstängd motor när tiden förflutet går den till läget OFF.
	-	Genom att hålla den intryckt i 5 sekunder aktiveras fjärrkontrollen genom att visa en dubbel blinkning av samma lysdiod. Genom att hålla den intryckt i 5 sekunder avaktiveras fjärrkontrollen och visar enbart en blinkning av tillhörande lysdiod.
S1	Fast	Signalerar mättnaden av metallfettfiltren och nödvändigheten att diska dem. Larmet träder i funktion efter 100 timmar av effektivt arbete av köksfläkten.
	Blinkande	Signalerar, när det är aktiverat, larmet för mättat luftfilter med aktivt kol, att det måste bytas; även metallfettfiltren ska diskas. Larmet för mättat luftfilter med aktivt kol träder i funktion efter 200 timmar av effektivt arbete av köksfläkten.

NGÖRING OCH UNDERHÅL

FJÄRRKONTROLL (EXTRA TILLBEHÖR)

Denna apparat kan styras med en fjärrkontroll som matas med ett 3 V-batteri av typ CR2032 (ingår ej).

- Placera inte fjärrkontrollen i närheten av värmekällor.
- Kasta inte batterierna i naturen, utan i avsedda behållare.



Metallfettfilter

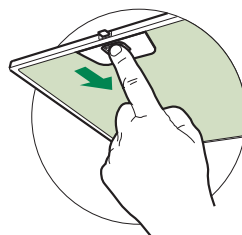
RENGÖRING AV METALLFETTFILTREN

Återställning av larmsignal

- Släck belysningen och stäng av utsugningsmotorn.
- Tryck på knappen **T3** i minst 3 sekunder tills lysdioderna blinkar som bekräftelse.

Rengöring av filter

- De kan diskas i diskmaskin och de behöver diskas när lysdioden **S1** tänds eller maximalt varannan månad som köksfläkten använts.
- Öppna belysningsenheten genom att dra den i den avsedda skåran.
- Ta bort ett filter åt gången, tryck dem bakåt och dra dem samtidigt nedåt.
- Diska filtren utan att böja dem. Låt filtren torka före återmonteringen.
- Montera filtren på nytt. Se till att handtaget vänder mot den synliga utsidan.
- Stäng belysningsenheten.



Luftfilter med aktivt kol (Filtrerande version)

Filtret kan inte diskas eller regenereras. Filtret ska bytas när lysdioden **S1** blinkar eller minst var 4:e månad. Larmsignalen, om tidigare aktiverad, inträffar enbart när insugningsmotorn är aktiverad.

Aktivering av larmsignal

- På köksfläktarna i filtrerande version, ska larmet för mättade filter aktiveras vid installationsögonblicket eller därefter.
- Släck belysningen och stäng av utsugningsmotorn.
- Tryck på knappen **T2** i 5 **sekunder** tills den dubbla blinkningen av lysdioden som bekräftelse.

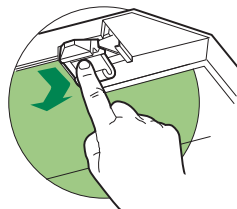
BYTE

Återställning av larmsignal

- Släck belysningen och stäng av utsugningsmotorn.
- Tryck på knappen **T3** i minst 5 sekunder tills den tredubbla blinkningen av lysdioden F som bekräftelse.

Byte av filter

- Öppna belysningsenheten genom att dra den i den avsedda skåran.
- Avlägsna metallfettfiltren.
- Ta bort det mättade luftfiltret med aktivt kol genom att lossa hakarna.
- Montera filtret på nytt genom att haka fast det i sätet.
- Montera metallfettfiltren på nytt.
- Stäng belysningsenheten.



Belysning

- För byte kontakta servicecenter ("För inköpet vänd dig till ett servicecentra").

CE