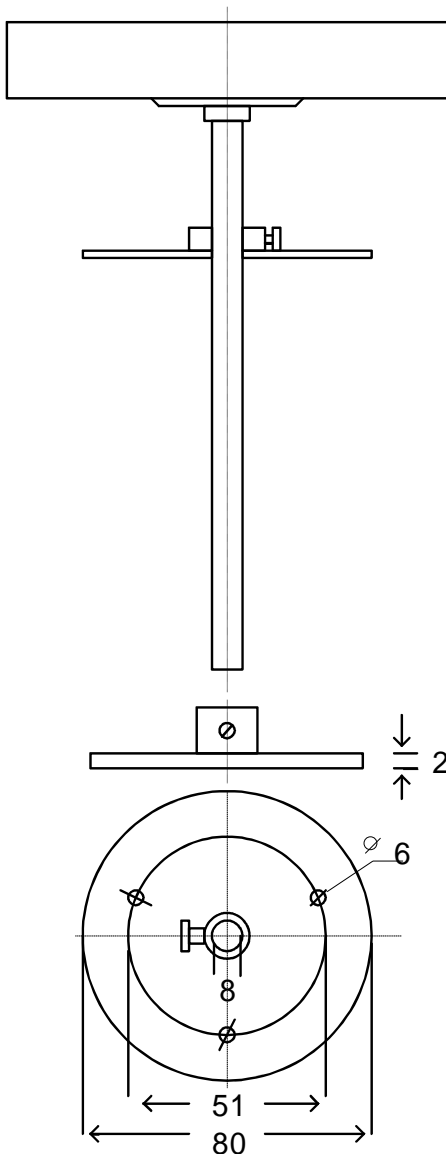




BI-METAL THERMOMETER FOR VENTILATION AND AIR CONDITIONING DUCTS

TECHNICAL DATA

CASE:	Zinc-plated steel
SENSOR:	Brass Ø 8 mm
CONNECTION:	Back
SCALE:	DIN 270° °C
DIAL:	Aluminium
WINDOW:	Glass or plastic
ACCURACY CLASS:	kl.2,0
FLANGE:	Fiberglass
	External adjustment device



Type	Dial	Case	Sensor L
M-103T-K	100 mm	15 mm	100, 150, 200, 250, 300 mm

Temperature scales

-40+ 60°C	1:1
0+ 60°C	1:1
0+ 100°C	1:1
0+ 120°C	1:1
0+ 160°C	2:1