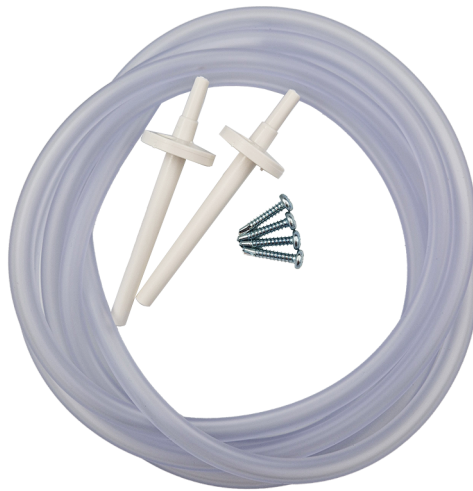


DP-AK differential pressure measurement accessory kit



The DP-AK differential pressure measurement accessory kit is an accessory kit for mounting differential pressure devices.

The accessory kit includes the following parts:

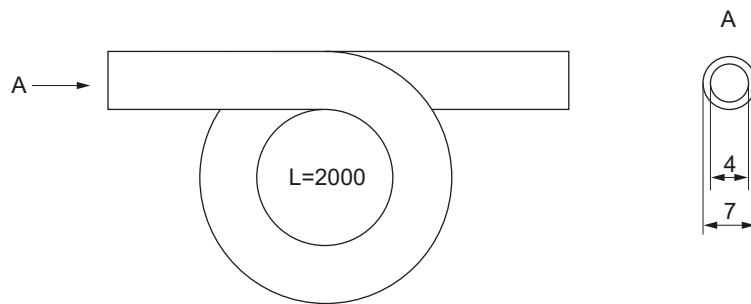
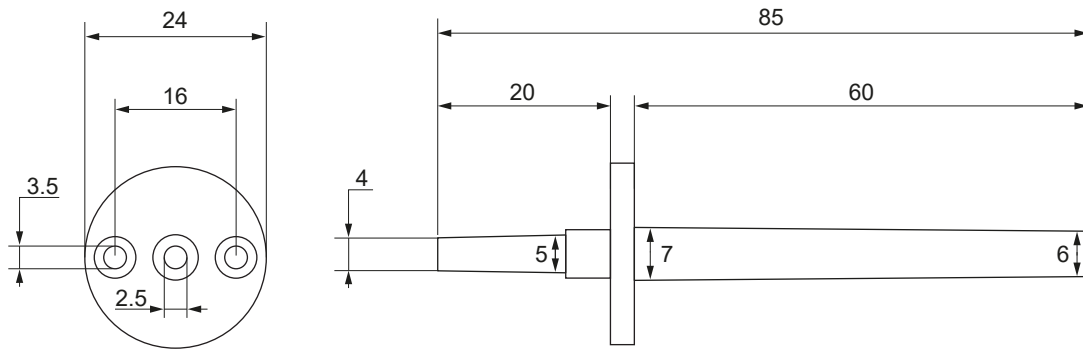
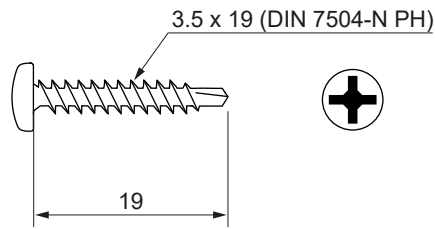
- Duct connectors (2 pcs) and connector mounting screws (4 pcs)
- Pressure measurement hose (2 m)

Technical specifications


Property	Value
Duct connectors	
Material	PC plastic
Dimensions	24 x 24 x 85 mm
Duct connector mounting screws	
Type	3.5 x 19 (DIN 7504-N PH), self-drilling
Material	Galvanised steel
Pressure measurement hose	
Material	PVC plastic
Dimensions	Ø4/7 mm, length 2 m
Warranty	5 years
Company certificates	
Quality management	ISO 9001
Environmental management	ISO 14001

Dimensions

All dimensions are in millimeters (mm).



Ordering information

	Type	Product number	Description
	DP-AK	1241000001	Differential pressure measurement accessory kit