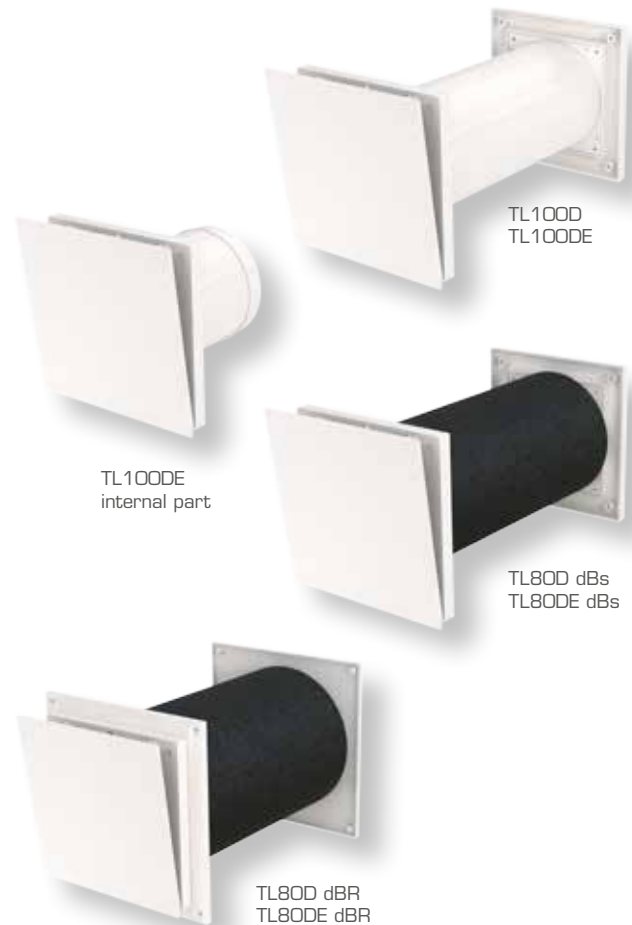


- Discreet design
- Powerful condensation protection
- Weatherproof
- Simple to maintain
- Energy-saving storm shield
- Noise-reducing versions
- Several filter options

TL-DE wall vent for wall mounting, designed for continuous ventilation of homes. The vent has strong condensation insulation and filter. The vent is also designed with overventilation protection and storm shield (the models with E in the designation). The air quantity is regulated with the front which has a mechanism for changing the opening angle. Also available in a number of noise-reducing versions.



Specification

Product	Description	Art no.
TL100D internal part	Internal vent part with adapter Ø98x110 mm. Dust/insect filter	629060
TL100DE internal part	Internal vent part with adapter Ø98x110 mm. Dust/insect filter and storm shield.	629063
TL100DE internal part	Internal vent part with adapter Ø98x110 mm. Dust/insect filter and storm shield, individually packed	629066
TL98D	Complete with wall pipe Ø98/102 mm and external grille	629090
TL98DE	Complete with wall pipe Ø98/102 mm and external grille. Storm shield	629093
TL100D	Complete with wall pipe Ø98/102 mm and external grille	629072
TL100DE	Complete with wall pipe Ø98/102 mm and external grille. Storm shield	629075
TL100DE	Complete with wall pipe Ø100/104 mm and external grille. Storm shield, individually packed	629078
TL80DE dBs	Complete noise-reducing vent with storm shield, wall pipe Ø81/124x360 mm, individually packed	629087
TL80D dBR	Complete noise-reducing vent with wall pipe Ø80/148x400 mm	629081
TL80DE dBR	Complete noise-reducing vent with storm shield, wall pipe Ø80/148x400 mm	629084

The vent can also be customised according to the customer's wishes, e.g. larger cover plates for the dB models, a different wall pipe length, etc. *Storm shield (E)

Technical data

Capacity:	7.9 l/s and 7.5 l/s for models with storm shield at 10 Pa
Wall opening:	Ø105, Ø108, Ø125, or Ø150 mm depending on model
Material:	ABS plastic (recyclable)
Colour:	White, NCS S1002-650Y

Description/function

General

Wall vent with a very discreet design. It is possible to wallpaper and paint over the front. The vent is equipped with strong condensation insulation, overventilation protection, storm shield (certain models) and filters. The storm shield prevents the loss of energy when affected by the wind.

The flow is regulated at the front which has a mechanism for changing the opening angle. The front is opened at the upper edge and forces air upwards which provides a comfortable distribution pattern even with underfloor heating.

The vent is also available in a number of noise-reducing versions.

Standard wall pipe

For the complete finish the vent is supplied with a wall pipe and external grille. The wall pipe consists of two sleeve couplings and wall pipe. Two alternative wall pipe are available. One of them consists of a number of modular pipes that can be fitted by pushing them together. The other is a full length pipe. When using the full length pipe, the adapters are supplied with seals which provide a secure seal against the pipe. The internal vent part and external grille fit on the adapters with a snap-in bracket.

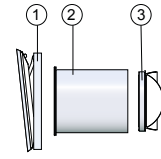
Noise-reducing

The noise-reducing versions have a different wall pipe compared to the standard version. It consists of a noise-absorbing pipe, two cover plates as well as two short adapters. The noise-absorbing pipe is easy to cut to the correct length with a knife. Standard pipe length 360mm (TL80DE dBs) and 400 mm (TL80DE dBR), longer pipes can be made to order.

Internal vent part

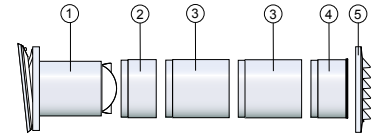
The internal vent part has strong condensation insulation, filter, as well as a front that can be angled upward at the upper edge to set the flow. The filter is mounted in a filter cassette which is also equipped with a guard to protect against any water running in. The front has four opening positions for varying the flow. The distribution pattern has been carefully developed in order to suit underfloor heating systems, the vent releases the air upwards and to the sides. The intervention of indoor air is very effective; strongly cooled air reaches a comfortable temperature only a few decimeters from the fitting.

Included parts TL100DE internal part	
	Description
1	TL-D internal part
2	Adapter 10 internal Ø98 x 110 with filter
3	Storm shield



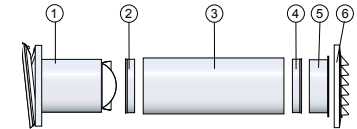
Also available without storm shield TL100D internal part

Included parts TL98DE	
	Description
1	TL100DE internal part
3	Wall pipe Ø98/102 x 50
4	Wall pipe Ø98/102 x 100
5	Adapter 10 external Ø102 x 60
6	External grille #150 mm



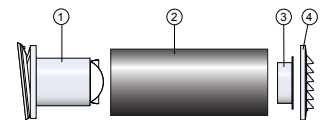
Also available without storm shield TL98D.

Included parts TL100DE	
	Description
1	TL100DE internal part
2	Seal Ø98/100
3	Wall pipe Ø100/104 x 360
4	Seal Ø98/100
5	Adapter 10 internal Ø98 x 30
6	External grille #150 mm



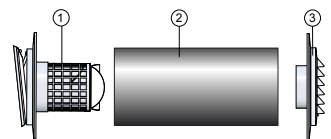
Also available without storm shield TL100D.

Included parts TL80DE dBs	
	Description
1	TL100DE internal part with sleeve coupling and storm shield
2	Adapter 10 internal Ø98 x 110 mm filter
3	dBs pipe Ø98/80/124, L=360 mm
4	Adapter 8 internal short Ø81x30
5	External grille #150 mm



Also available without storm shield TL80D dBs.

Included parts TL80DE-dBR	
	Description
1	TL100DE dB internal part with cover plate #180 mm
2	dBR pipe Ø98/81/148, L=400mm
2	External grille #150 mm with adapter Ø81x30 and cover plate #180 mm



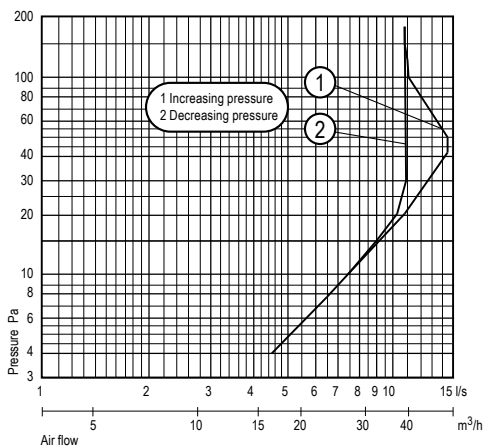
Also available without storm shield TL80D dBR.

Mounting

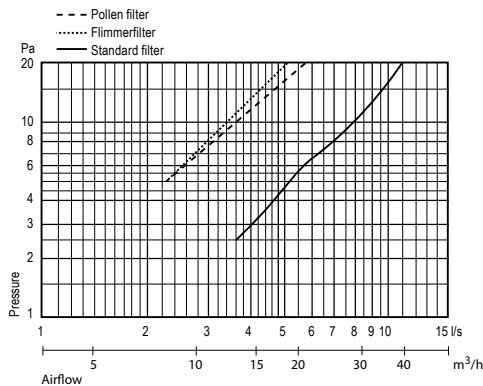
The vent should be placed high up on the wall. If there is a radiator, you should try to position the vent above it. Positioning it like this utilises the convection current, achieving the best comfort. The vent works excellently with underfloor heating systems as it was designed for this.

Capacity

TL100DE / TL80DE dBs / TL80DE dBR



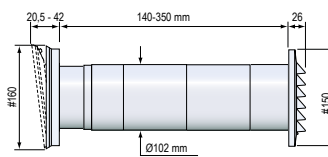
TL100D / TL80D dBs / TL80D dBR



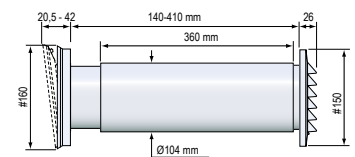
Technical data TL-D vents	
Capacity TL100DE at 10 Pa:	7.5 l/s
Capacity TL100D at 10 Pa:	7.9 l/s
Capacity TL80E dBs /TL80E dBR at 10 Pa:	7.5 l/s
Capacity TL80 dBs /TL80 dBR at 10 Pa:	7.9 l/s
Wall opening TL98D / TL100D:	Ø105/108 mm
Wall opening TL80D dBs:	Ø125 mm
Wall opening TL100D dB:	Ø150 mm
Max wall thickness TL98D:	350 mm
Max wall thickness TL100D:	420 mm
Max wall thickness TL80D dBs	360 mm
Max wall thickness TL100D dB	400 mm
For thicker walls, contact Fresh AB.	
Filters	Dust/insect filter PPI 10
Material:	ABS
Colour:	White, NCS S1002-650Y

Measurement

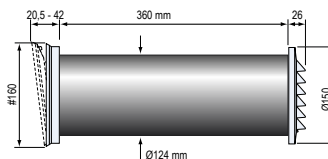
TL98D/TL98DE



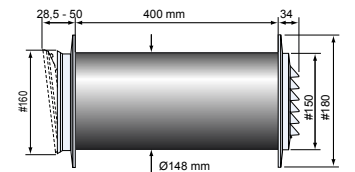
TL100D/TL100DE



TL80D dBs/TL80DE dBs



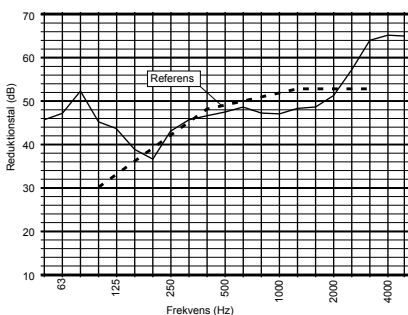
TL80D dB/TL80DE dB



Noise data

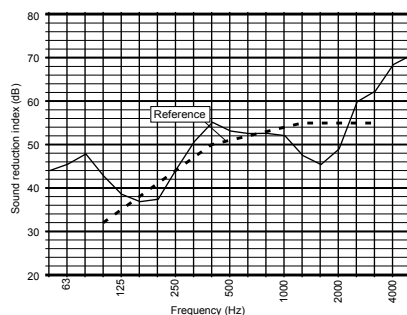
The diagram shows the noise reduction with a fully open vent. Measurement according to ISO 140-10. Normalized difference in level for the building section, calculated at 10 m².

TL80D dBs (360 mm wall)



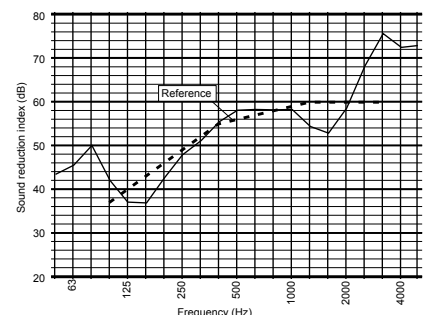
$D_{n,e,w}$ 49 dB

TL80D dBR (300 mm wall)



$D_{n,e,w}$ 51 dB

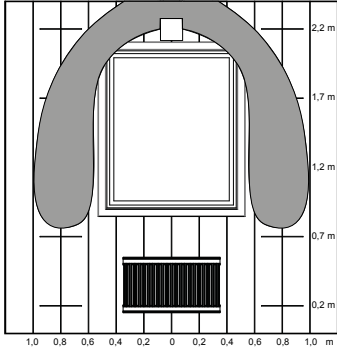
TL80D dBR (400 mm wall)



$D_{n,e,w}$ 56 dB

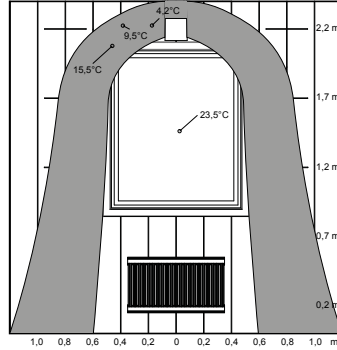
Distribution pattern

As the illustrations below show, the vent can manage 7 l/s with no draught, even without a heat source. The shaded areas mark air movements above 0.15 m/s.



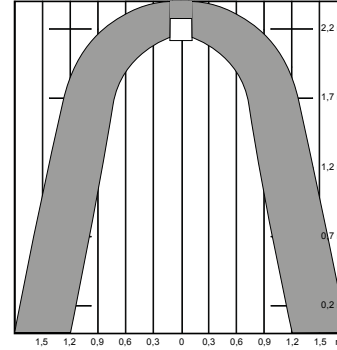
Radiator heat, frontside

Air flow 7 l/s, indoor temperature +22.8°C
Radiator output 500 W, outdoor temperature -15.6°C



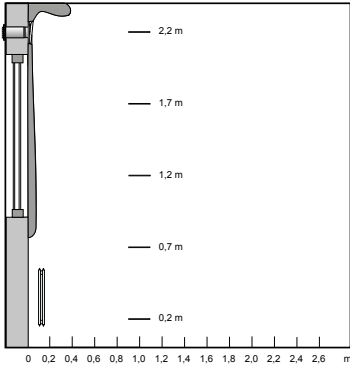
Radiator heat, frontside

Air flow 7 l/s, indoor temperature +23.1°C
Radiator output 150 W, outdoor temperature -14.7°C



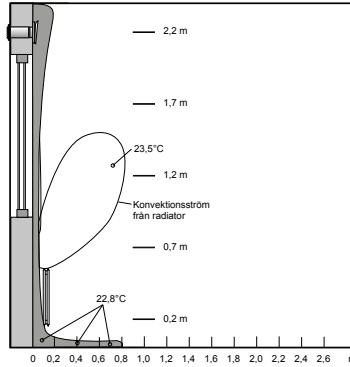
Underfloor heating, frontside

Air flow 7 l/s, indoor temperature +21°C
Output 0 W/m², outdoor temperature -16.4°C



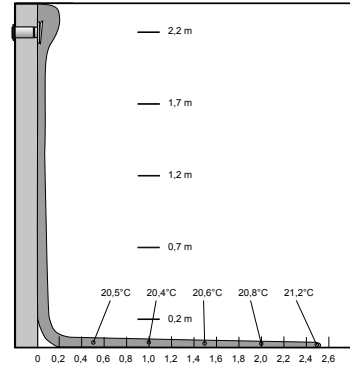
Radiator heat, sideways

Air flow 7 l/s, indoor temperature +22.8°C
Radiator output 500 W, outdoor temperature -15.6°C



Radiator heat, sideways

Air flow 7 l/s, indoor temperature +23.1°C
Radiator output 150 W, outdoor temperature -14.7°C

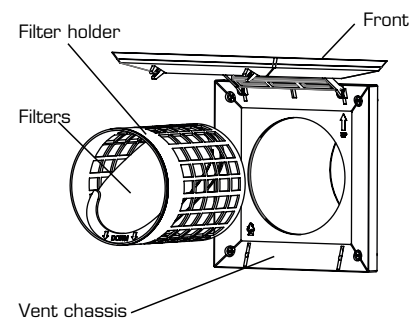


Underfloor heating, sideways

Air flow 7 l/s, indoor temperature +21°C
Output 0 W/m², outdoor temperature -16.4°C

Maintenance

To ensure good air quality and maintain airflow, the filter should be cleaned/replaced 1–2 times a year. The standard filter is washable, use a mild detergent. Replace pollen and Flimmer filters. The standard/pollenfilter is installed in a filter cassette behind the front which is easily removed by releasing the front from the lower brackets and then lifting it up. The filter cassette is pulled straight out from the vent chassis. The Flimmer filter replaces the filter holder and can not be combined with the stormshield.



Accessories

There is a complete range of accessories for the vent.



Wall pipes, available in different dimensions and lengths.



Cover plates, available in different sizes.



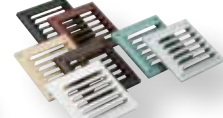
Tyfon, designed for weather-exposed areas.



Filters, several alternatives.



Rain shield, designed for weatherexposed areas.



External grille, available in several different sizes and colours.



FRESH AB
Gransholmsvägen 136
SE-360 32 GEMLA

Tel. +46 (0)470 70 77 00
Fax +46 (0)470 70 77 39

E-mail info@fresh.se
Website www.fresh.se