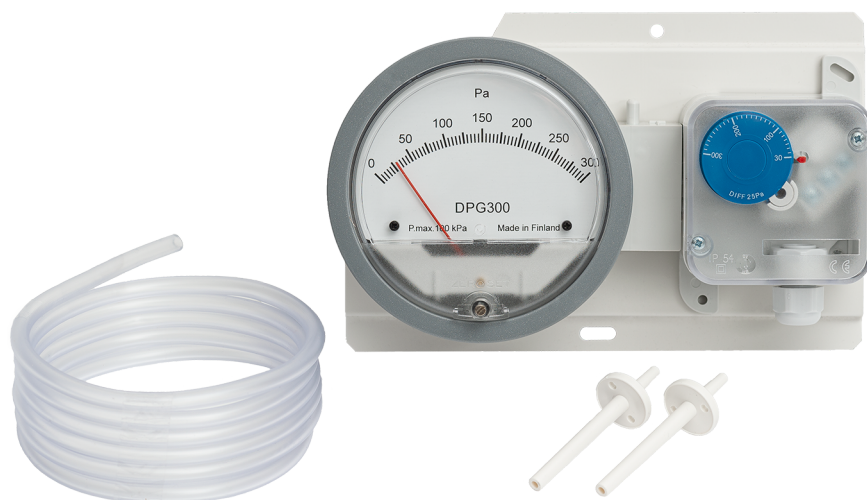


DPG/PS - Filter guard



DPG/PS filter guards are a solution for systems requiring visual indication of pressure on site and a switching point signal. The filter guards are ideal for general-purpose work in air-conditioning and ventilation, especially in air filter monitoring.

The filter guard combines differential pressure switch and gauge into one practical product. The guards are available for several pressure ranges.

Technical specifications

Property	Value
DPG200/PS200	
Gauge range	0...200 Pa
Switch range	20...200 Pa
Switching difference	20 Pa
Typical switching point accuracy	±8 Pa at low limit, ±15 % at high limit
DPG300/PS300	
Gauge range	0...300 Pa
Switch range	30...300 Pa
Switching difference	30 Pa
Typical switching point accuracy	±8 Pa at low limit, ±15 % at high limit
DPG500/PS500	
Gauge range	0...500 Pa
Switch range	30...500 Pa
Switching difference	30 Pa
Typical switching point accuracy	±8 Pa at low limit, ±15 % at high limit
DPG600/PS600	
Gauge range	0...600 Pa
Switch range	40...600 Pa

Property	Value
Switching difference	40 Pa
Typical switching point accuracy	±8 Pa at low limit, ±15 % at high limit
DPG1,5K/PS1500	
Gauge range	0...1500 Pa
Switch range	100...1500 Pa
Switching difference	80 Pa
Typical switching point accuracy	±20 Pa at low limit, ±15 % at high limit
Gauge accuracy (20 °C)	±3 % from full scale
Maximum pressure	20 kPa
Medium	dry air or non-aggressive gas
Product lifetime	> 1 000 000 switching operations
Pressure connections	Ø5 mm
Output	Change-over contact
Load	250 Vac, 3 A (res.), 2 A (ind.)
Load (DPG200/PS200)	250 Vac, 0.1 A, res.
Wiring terminals	1.5 mm ² , screw terminals
Operating conditions	
Temperature	-5...60 °C
Humidity	0...95 %rH (non condensing)
Cable gland	M16
Protection class	IP54
Materials	
Plastic parts	ABS and PC plastic
Membrane	Silicone
Hose	PVC plastic
Bracket	Steel
Mounting	2 x Ø5.5 mm screw holes, one slotted
Storage temperature	-40...85 °C
Dimensions (w x h x d)	219 x 136 x 68 mm
Weight	510 g

Wiring



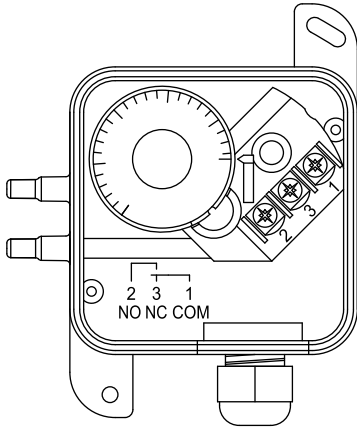
Warning: Device wiring and commissioning can only be carried out by qualified professionals. Always make the device wirings in de-energised electricity network.



CAUTION: The product may only be connected to overvoltage category III electricity network according to IEC 60664-1.



CAUTION: Ensure that all covers are closed before connecting supply voltage to the product. Don't remove the covers when the supply voltage is connected.



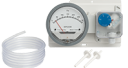




1	COM	250 Vac relay output.
3	NC	
2	NO	

The nominal wire terminal screw tightening torque is 1.5 Nm

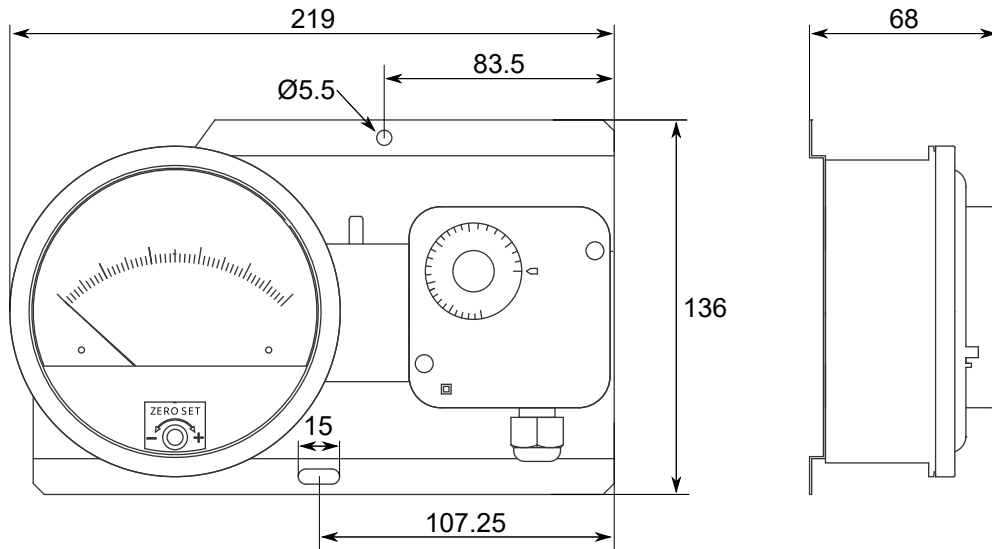


Important: Don't use excessive force when tightening the wiring terminal screws.

Ordering information

	Type	Product number	Description
	DPG200/PS200	109.001.005	Filter guard, range 0...200 Pa
	DPG300/PS300	109.005.005	Filter guard, range 0...300 Pa
	DPG500/PS500	109.004.008	Filter guard, range 0...500 Pa
	DPG600/PS600	109.002.010	Filter guard, range 0...600 Pa
	DPG1,5K/PS1500	109.003.007	Filter guard, range 0...1500 Pa

Dimensions



Supported standards and directives

Standard	Description
2014/30/EU	Electromagnetic Compatibility (EMC).
2014/35/EU	Low Voltage Directive (LVD).
2011/65/EU	Restriction of Hazardous Substances (RoHS2) Directive.
(EU) 2015/863	Commission Delegated Directive, amending Annex II to Directive 2011/65/EU.
EN 61010-1:2010	Safety requirements for electrical equipment for measurement, control, and laboratory use - Part 1: General requirements
EN 61326-1:2006	Electrical equipment for measurement, control and laboratory use - EMC requirements - Part 1: General requirements
EN 50581:2012	Technical documentation for the assessment of electrical and electronic products with respect to the restriction of hazardous substances
S.I. 2016 No. 1091	Electromagnetic compatibility regulations
S.I. 2016 No. 1101	The electrical equipment (safety) regulations
S.I. 2012 No. 3032	The restriction of the use of certain hazardous substances in electrical and electronic equipment regulations