



DPG/PS - Filter guard

User Guide

Contents

1 Safety precautions.....	3
2 Commissioning.....	4
2.1 Mounting the product.....	4
2.2 Wiring.....	5
3 Disposal.....	6

1 Safety precautions

The product is developed, manufactured and tested according to high quality standards. However, instructions for safe use shall be taken account when installing, using or disposing the product or parts of product.

Read this user guide carefully before commissioning, using or servicing this device. To avoid any kind of damage to people or property, follow the instructions carefully. Produal is not liable for any hazards or damages to people or property which are caused by ignoring the using or installation instructions.

To avoid electrical shock or damage to equipment, disconnect power before installing or servicing the product. Use only a proper wiring rated for the full operating voltage and maximum current in the system even in the event of a fault.





To avoid potential fire and/or explosion, do not use the product in potentially flammable or explosive atmosphere.

The product condition must be checked before installation. Do not drop the product or use excessive force during installation. Do not use the product if any damages are visible.

After installation the product will be part of a system whose specifications and performance characteristics are not designed or controlled by Produal. Refer to national and local authorities to ensure that the installation is functional and safe.

The product should only be used in professionally designed applications. Unauthorised modifications are not allowed. The product must not be used in relation with any equipment that in case of a failure may threaten, directly or indirectly, human health or life or result in danger to human beings, animals or property.

In this document, there are different kind of warnings and notes. The warning and note types are defined in the following table.

Sign	Description
 WARNING:	The warning symbol indicates a potentially hazardous situation which, if not avoided, could result in death or serious injury.
 CAUTION:	The caution symbol indicates a potentially hazardous situation which, if not avoided, could result in minor or moderate injury.
 Important:	The important symbol indicates a potentially hazardous situation which, if not avoided, could result in damage to the device or property.
 Note:	The note symbol indicates a useful tip or a recommended way to complete a task. These notes also provide information that is useful but not critical to the user.

2 Commissioning

2.1 Mounting the product

⚠ WARNING: Handle the product with care. Dropping the product may cause internal damage and unwanted functions in the connected system.

1. Check that the product is not damaged during transportation.
2. Select the mounting location.

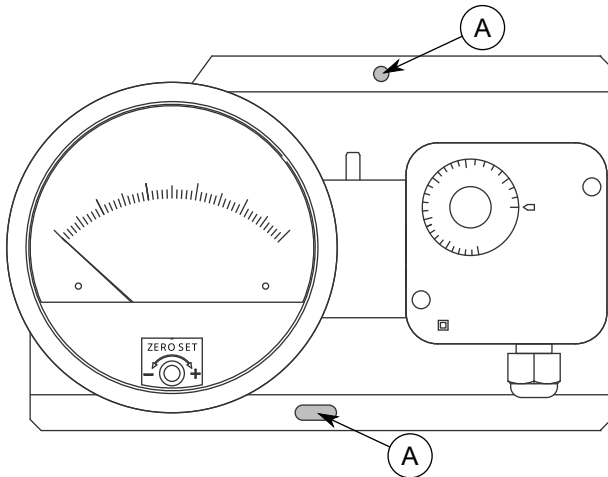
⚠ CAUTION: Place the product outside the reach of children and animals.

! Important: The product may only be installed in a location where the ambient conditions meet the operating condition requirements.

Operating conditions

Temperature	-5...60 °C
Humidity	0...95 %rH (non condensing)

3. Mount the product on a wall or other flat, vertical surface using the mounting points.

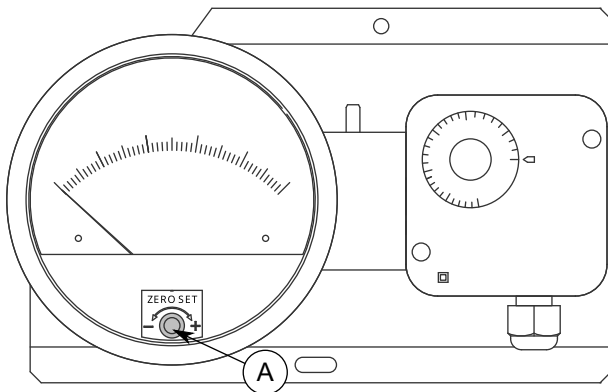


A. Mounting point

Mount the product in a vertical position. Make sure that the cable gland points down.

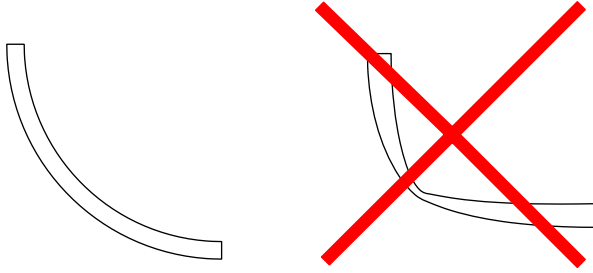
Select the mounting screws according to the mounting surface. The maximum screw diameter is 5.5 mm.

4. Adjust the measurement zero point by turning the zeroing screw.






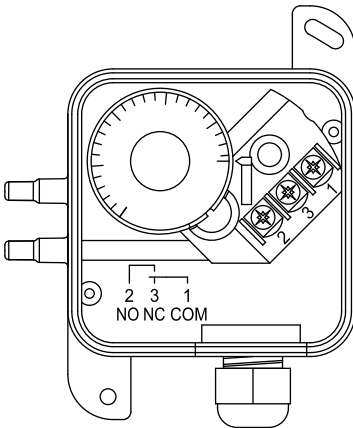
A. Zeroing screw

5. Install the measuring hoses carefully so that the hoses don't bend too tightly. Too tight curves may prevent the air flow to the sensor.




2.2 Wiring

-  **WARNING:** Device wiring and commissioning can only be carried out by qualified professionals. Always make the device wirings in de-energised electricity network.
-  **CAUTION:** The product may only be connected to overvoltage category III electricity network according to IEC 60664-1.
-  **CAUTION:** Ensure that all covers are closed before connecting supply voltage to the product. Don't remove the covers when the supply voltage is connected.



1	COM	
3	NC	250 Vac relay output.
2	NO	

The nominal wire terminal screw tightening torque is 1.5 Nm.

-  **Important:** Don't use excessive force when tightening the wiring terminal screws.

3 Disposal

The device is considered as electrical and electronic equipment for disposal in terms of the applicable European Directive. At the end of life the product must enter the recycling system at an appropriate collection point.

- The device must be disposed through channels provided for this purpose.
- The disposal must be completed according to the local and currently applicable laws and regulations.

Generally all metals can be recycled as material. Plastics and cardboard packaging material can be used in energy recovery. Printed circuit boards need selective treatment according to IEC 62635 guidelines. To aid recycling, plastic parts are marked with an appropriate identification code. Contact your local Produal distributor for further information on environmental aspects and recycling instructions for professional recyclers.

