



PRODUCT DATASHEET



PRODUCT FEATURES

BATHROOM SINK - CARE - 4G1955 - BOLT MOUNTING 55 CM

With overflow

- Wheelchair accessible with shallow basin
- Smooth underside with grip edge and generous legroom
- Smooth, easy-to-clean surfaces

ARTICLE NUMBER: 4G195501

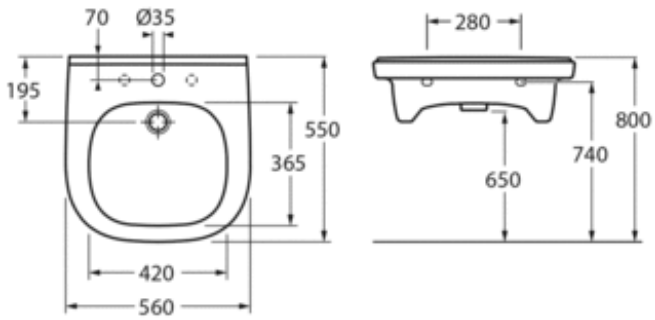
EAN-NUMBER 4051202473792



ASSEMBLING & CARE

On bolts directly against the wall. Bolt projection from finished wall must be 50 ± 2 mm.

DRAWING



A MEMBER OF THE
VILLEROY & BOCH GROUP

Villeroy & Boch Gustavsberg AB
Box 400, 134 29 Gustavsberg, Sweden
Tel: +46 (0) 8-570 391 00 | Fax +46 8 570 320 36
gustavsberg.com | e-post: info@gustavsberg.com