



PRODUCT DATASHEET



PRODUCT FEATURES

TOILET SEAT - CARE 9M67

White

- Fits wall hung toilet 4G01 & 4G95
- Slip stop for side stability
- Recessed groove along the edge of the lid facilitates opening

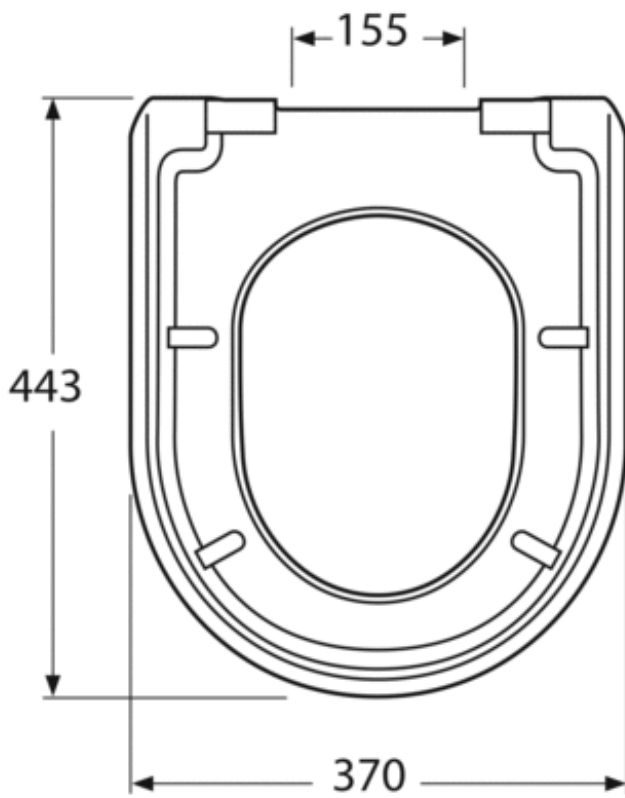
ARTICLE NUMBER: 9M676101

EAN-NUMBER 4051202452711

ASSEMBLING & CARE

Mounted according to included installation instructions.

DRAWING



A MEMBER OF THE
VILLEROY & BOCH GROUP

Villeroy & Boch Gustavsberg AB
Box 400, 134 29 Gustavsberg, Sweden
Tel: +46 (0) 8-570 391 00 | Fax +46 8 570 320 36
gustavsberg.com | e-post: info@gustavsberg.com