

EAN: 6414150078477

www.oras.com/en/products/oras/product/1074



Utility room faucet. Diverter, swivel spout (200 mm) and aerator. There are also in-built limitation options for water temperature and maximum flow-rate.

- Utility room
- Single lever
- Wall mounted
- Chrome
- Swivel spout
- push diverter
- Limitation option for maximum flow-rate

Technical data

Flow properties

Flow-rate at 300 kPa	0.25 l/s
Flow-rate at 300 kPa (with flow reducers)	0.2 l/s
Pressure loss 0.2 l/s (with flow reducers)	300 kPa
Pressure loss with flow (0.2 l/s)	200 kPa

Technical properties

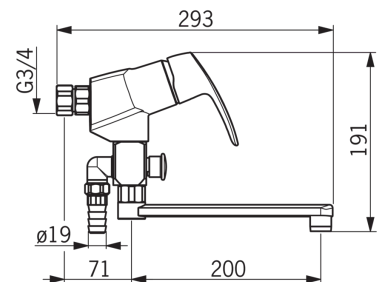
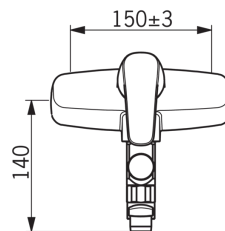
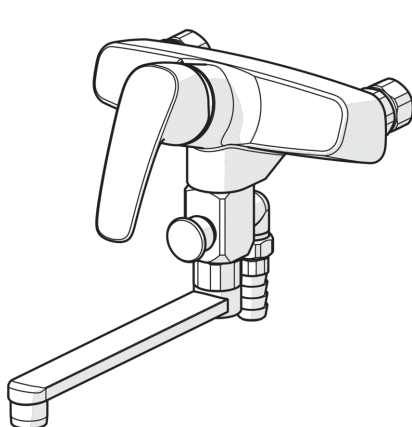
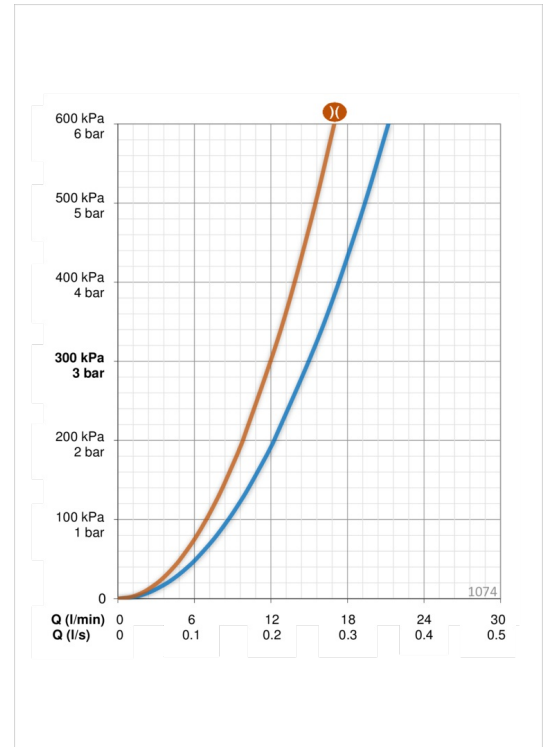
Hot water supply	max. +80°C
Working pressure	50 - 1000 kPa
Connection size	G3/4
Installation width	CC150± 3 mm
Projection	200 mm
Material	brass

Regulations

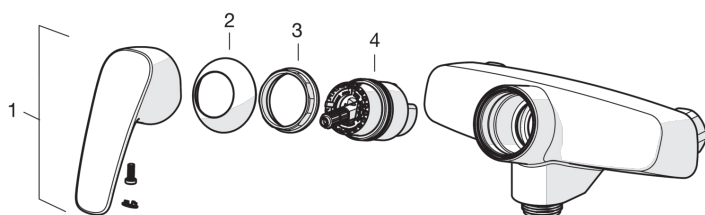
EN standard	EN 817
Noise class 0.2 l/s	I (ISO 3822)

Type approvals

STF certificate	VTT-RTH-00091-17
-----------------	-------------------------



Spare parts



SP1070

	Code
01	602502V
02	1000785V
03	158726
04	158890