



# Oras Safira

INSTALLATION AND MAINTENANCE GUIDE







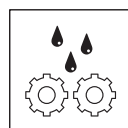
4-9



10-14



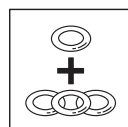
15



15-18



19

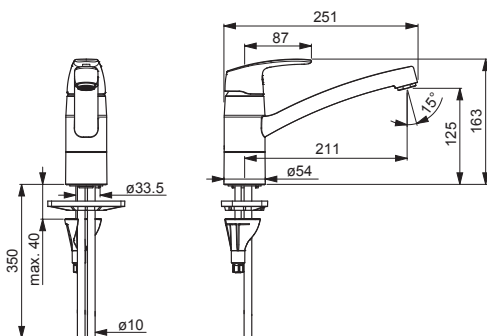


20-24



## 1030

I (ISO 3822)  
 EN 817  
 50 - 1000 kPa  
 0.27 l/s (300 kPa)  
 160 kPa (0.2 l/s)  
 max. +80°C



static.oras.com/1030

VTT-RTH-00090-17

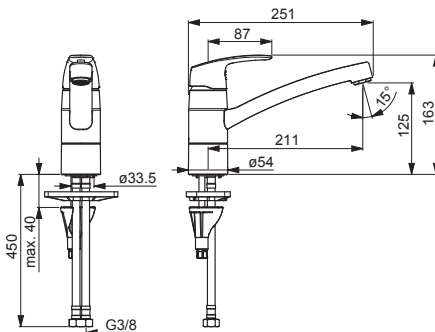


1491 KIWA Sverige 1913



## 1030F, 1030F-105

I (ISO 3822) Oras lab.  
 EN 817  
 50 - 1000 kPa  
 0.21 l/s (300 kPa)  
 270 kPa (0.2 l/s)  
 0.07 l/s (300 kPa w/Controller) -105  
 max. +80°C



static.oras.com/1030F

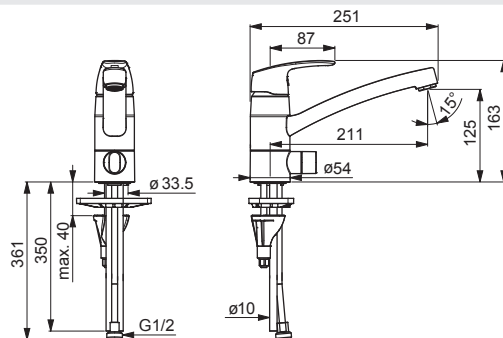


1491 KIWA Sverige 1913



## 1035

I (ISO 3822)  
 EN 817  
 50 - 1000 kPa  
 0.27 l/s (300 kPa)  
 160 kPa (0.2 l/s)  
 max. +80°C



static.oras.com/1035

VTT-RTH-00090-17

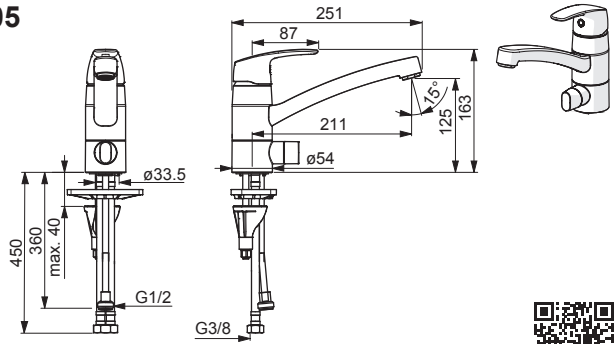


1491 KIWA Sverige 1913



## 1035F, 1035F-104, 1035F-105

I (ISO 3822) Oras lab.  
 EN 817  
 50 - 1000 kPa  
 0.21 l/s (300 kPa)  
 0.056 l/s (300 kPa w/Controller) -104  
 0.07 l/s (300 kPa w/Controller) -105  
 270 kPa (0.2 l/s)  
 max. +80°C



[static.oras.com/1035F](http://static.oras.com/1035F)

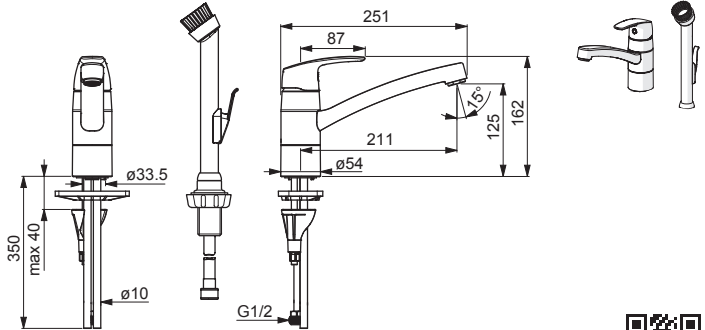


1491 KIWA Sverige 1913



## 1022

I (ISO 3822)  
 EN 817  
 50 - 1000 kPa  
 0.17 l/s (300 kPa)  
 100 kPa (0.1 l/s)  
 max. +80°C



[static.oras.com/1022](http://static.oras.com/1022)

VTT-RTH-00090-17

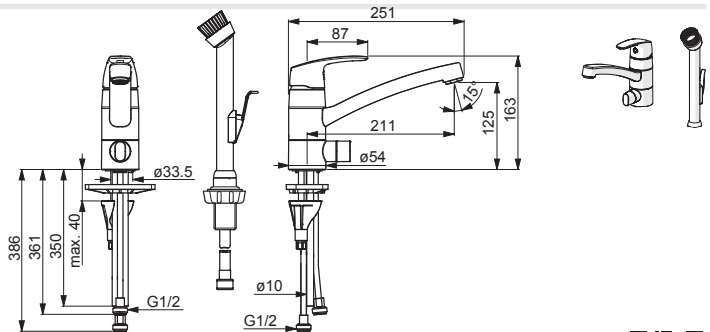


1491 KIWA Sverige 1913



## 1027

I (ISO 3822)  
 EN 817  
 50 - 1000 kPa  
 0.17 l/s (300 kPa)  
 100 kPa (0.1 l/s)  
 max. +80°C



[static.oras.com/1027](http://static.oras.com/1027)

VTT-RTH-00090-17



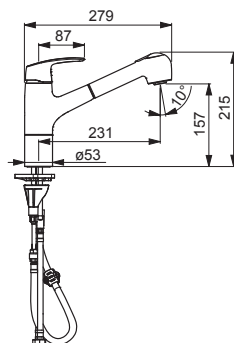
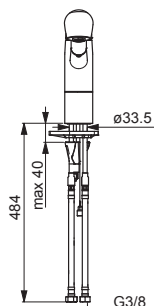
1491 KIWA Sverige 1913





## 1032F

I (ISO 3822)  
 EN 817  
 50 - 1000 kPa  
 0.16 l/s (300 kPa)  
 120 kPa (0.1 l/s)  
 max. +80°C

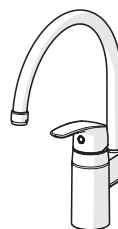
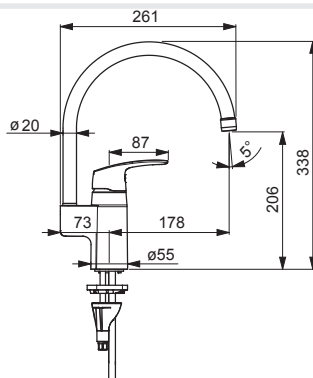
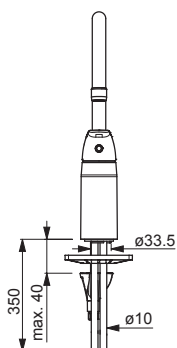


[static.oras.com/1032F](http://static.oras.com/1032F)


 1491 KIWA Sverige 1913 

## 1038

I (ISO 3822)  
 EN 817  
 50 - 1000 kPa  
 0.27 l/s (300 kPa)  
 160 kPa (0.2 l/s)  
 max. +80°C

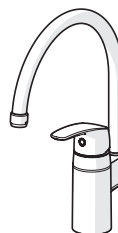
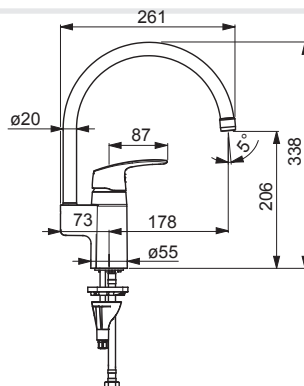
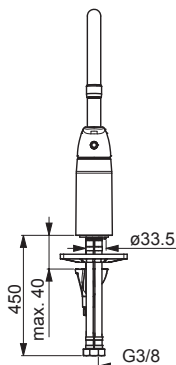


[static.oras.com/1038](http://static.oras.com/1038)

VTT-RTH-00090-17  
 1491 KIWA Sverige 1913 

## 1038F

I (ISO 3822)  
 EN 817  
 50 - 1000 kPa  
 0.21 l/s (300 kPa)  
 270 kPa (0.2 l/s)  
 max. +80°C

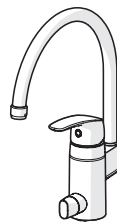
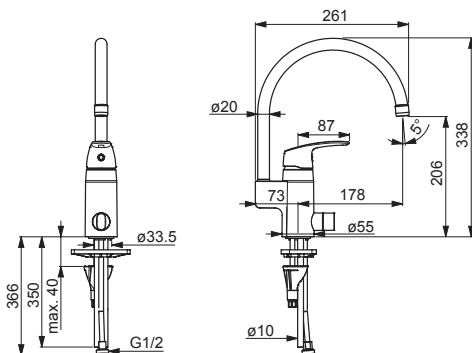


[static.oras.com/1038F](http://static.oras.com/1038F)

 1491 KIWA Sverige 1913 

## 1039

I (ISO 3822)  
 EN 817  
 50 - 1000 kPa  
 0.27 l/s (300 kPa)  
 160 kPa (0.2 l/s)  
 max. +80°C



VTT-RTH-00090-17



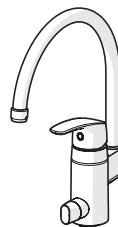
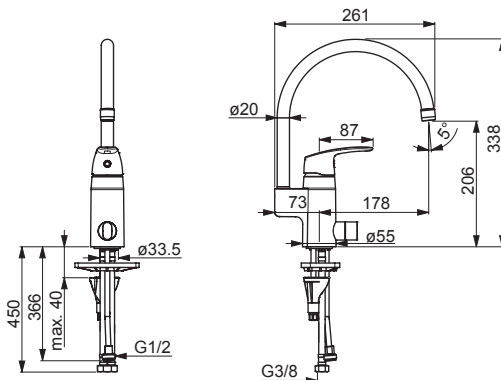
1491 KIWA Sverige 1913



[static.oras.com/1039](http://static.oras.com/1039)

## 1039F

I (ISO 3822)  
 EN 817  
 50 - 1000 kPa  
 0.2 l/s (300 kPa)  
 290 kPa (0.2 l/s)  
 max. +80°C



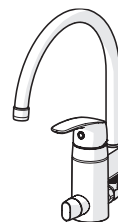
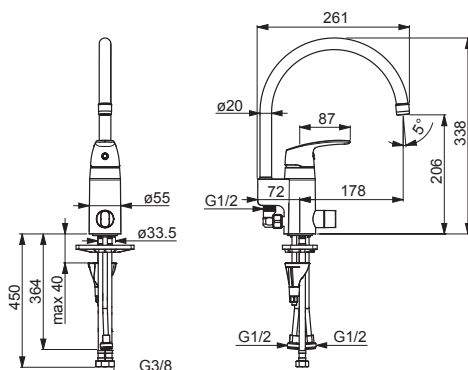
1491 KIWA Sverige 1913



[static.oras.com/1039F](http://static.oras.com/1039F)

## 1057F

I (ISO 3822)  
 EN 817  
 50 - 1000 kPa  
 0.21 l/s (300 kPa)  
 280 kPa (0.2 l/s)  
 max. +80°C



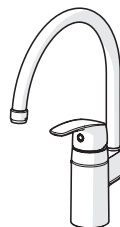
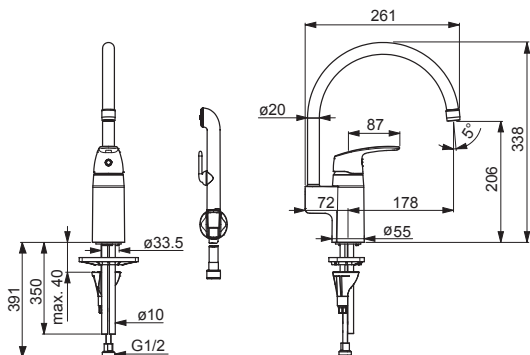
VTT-RTH-00090-17

[static.oras.com/1057F](http://static.oras.com/1057F)



## 1033

I (ISO 3822)  
EN 817  
50 - 1000 kPa  
0.16 l/s (300 kPa)  
110 kPa (0.1 l/s)  
max. +80°C



[static.oras.com/1033](http://static.oras.com/1033)

VTT-RTH-00090-17

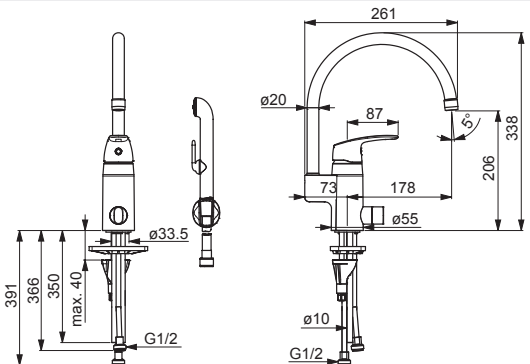


1490 KIWA Sverige 1913



## 1034

I (ISO 3822)  
EN 817  
50 - 1000 kPa  
0.16 l/s (300 kPa)  
115 kPa (0.1 l/s)  
max. +80°C



[static.oras.com/1034](http://static.oras.com/1034)

VTT-RTH-00090-17



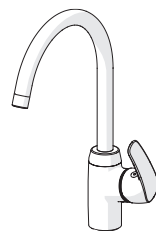
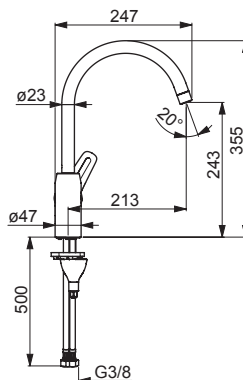
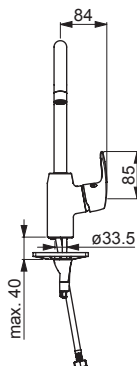
1490 KIWA Sverige 1913





## 1028F

I (ISO 3822)  
 EN 817  
 50 - 1000 kPa  
 0.19 l/s (300 kPa)  
 85 kPa (0.1 l/s)  
 max. +80°C



[static.oras.com/1028F](http://static.oras.com/1028F)

VTT-RTH-00090-17

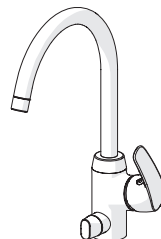
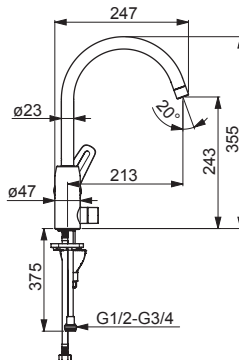
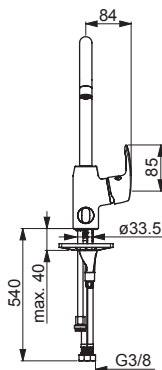


1491 KIWA Sverige 1913



## 1029F

I (ISO 3822)  
 EN 817  
 50 - 1000 kPa  
 0.21 l/s (300 kPa)  
 85 kPa (0.1 l/s)  
 max. +80°C



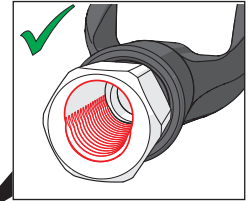
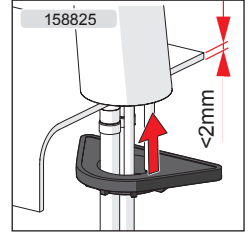
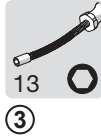
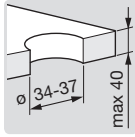
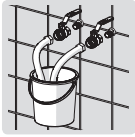
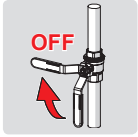
[static.oras.com/1029F](http://static.oras.com/1029F)

VTT-RTH-00090-17



1491 KIWA Sverige 1913





1

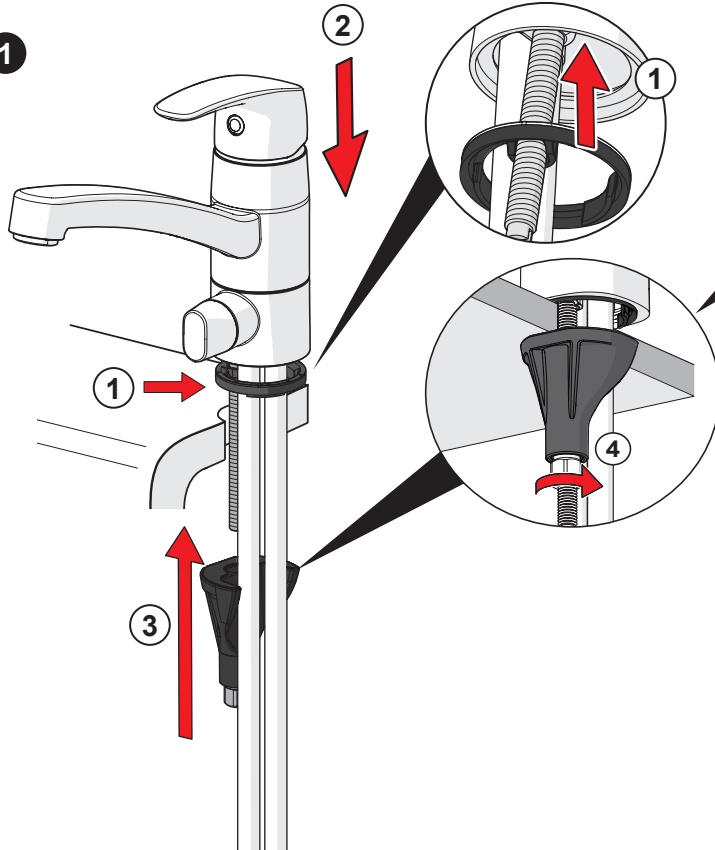
2

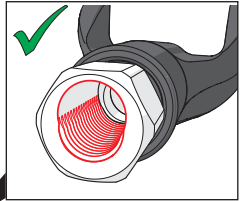
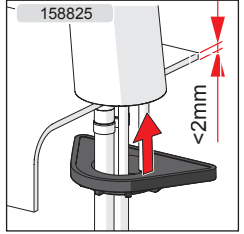
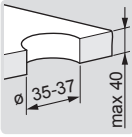
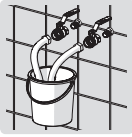
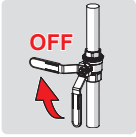
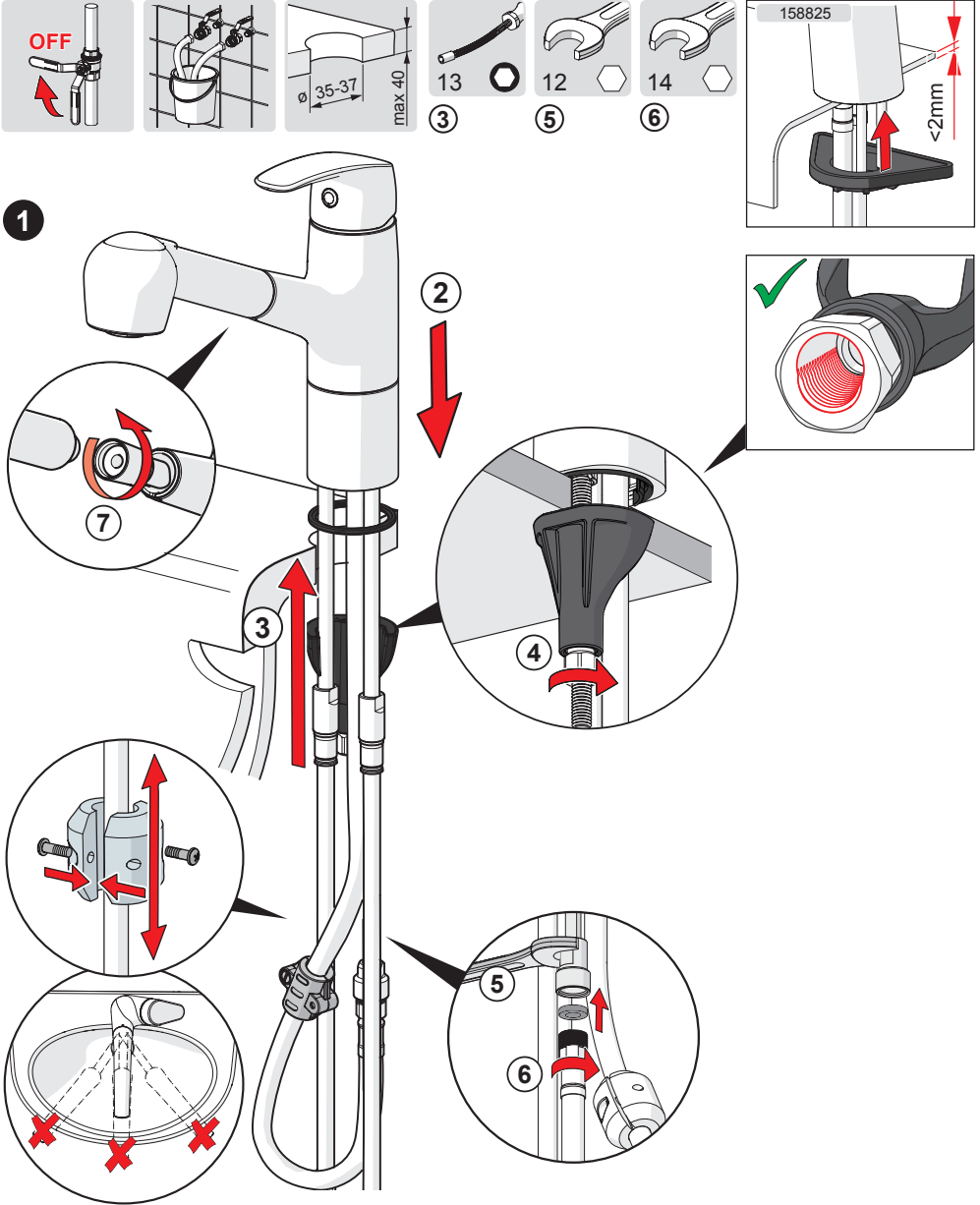
1

4

1

3



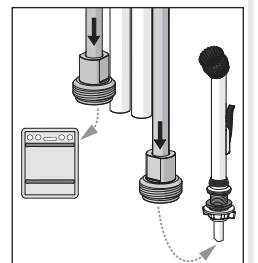
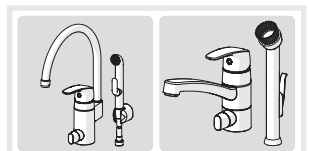
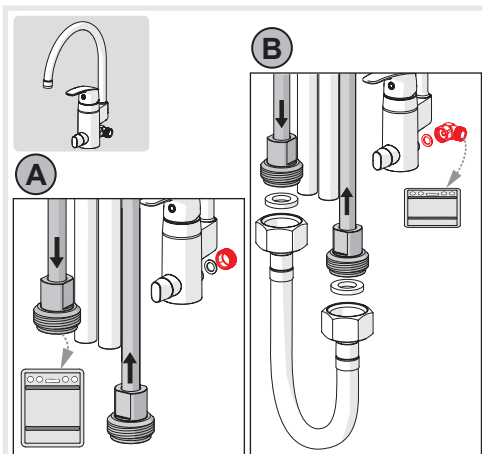
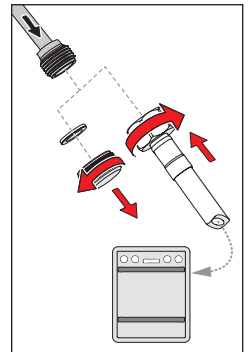
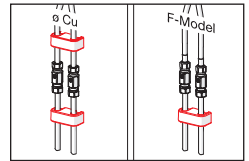
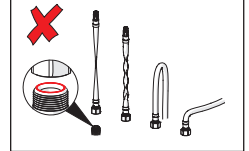
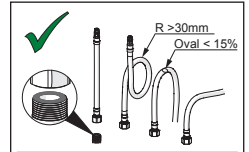
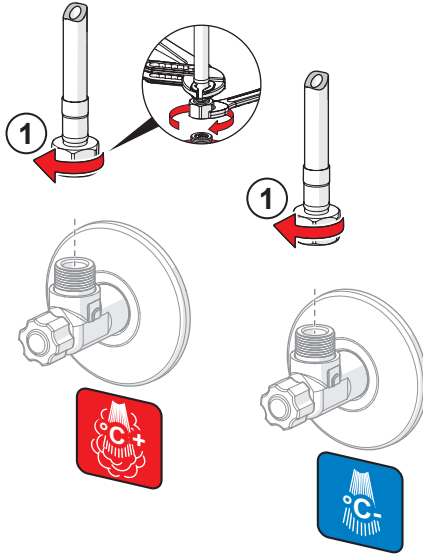


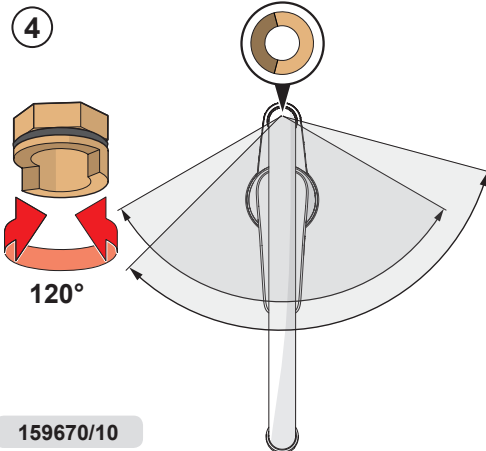
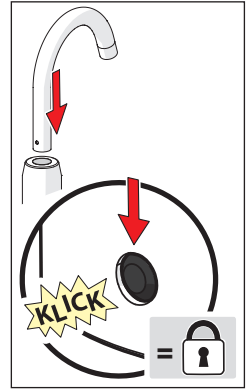
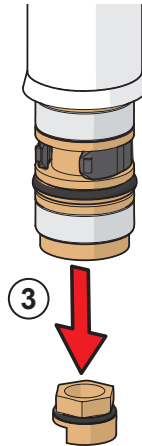
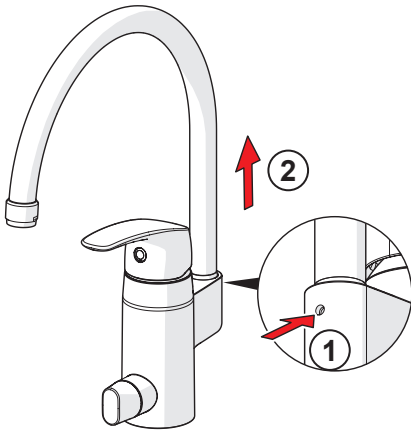
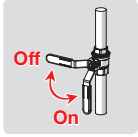


①

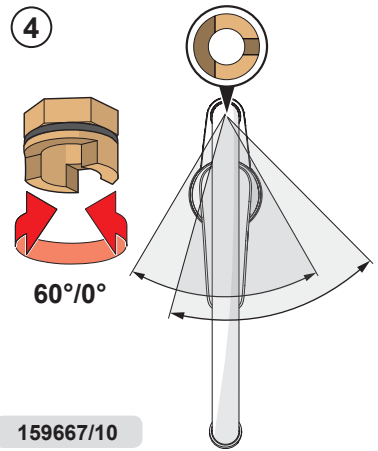
max.  
1600 kPa

②

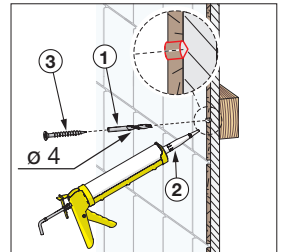
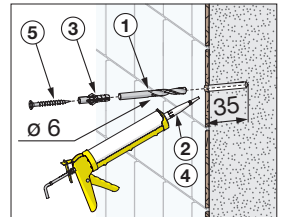
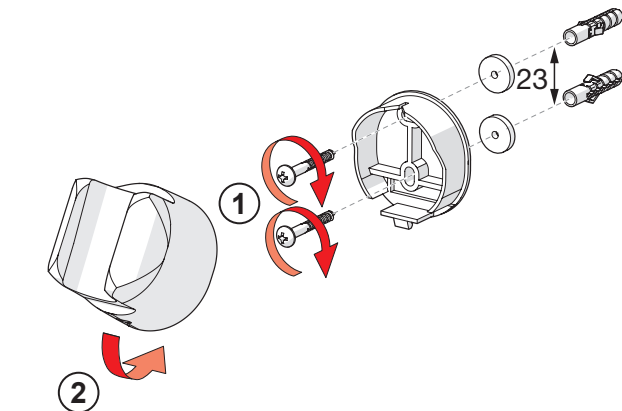
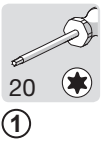
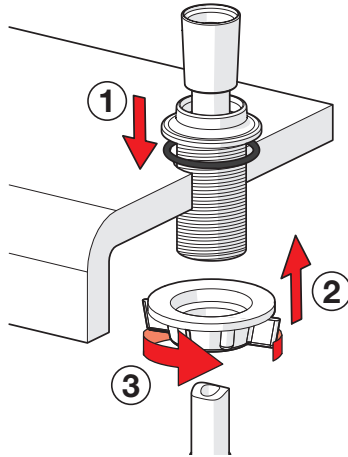
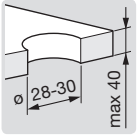


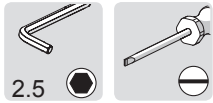
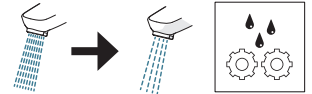
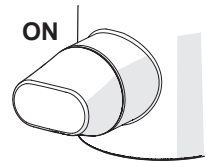
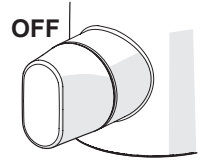
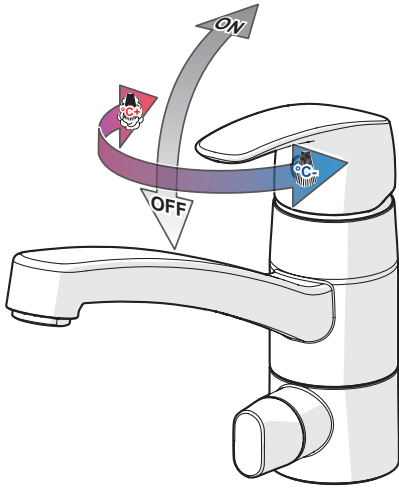


159670/10



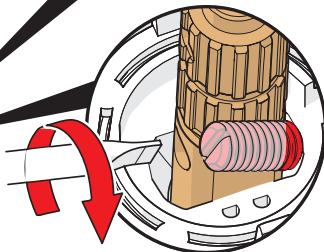
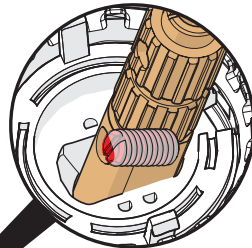
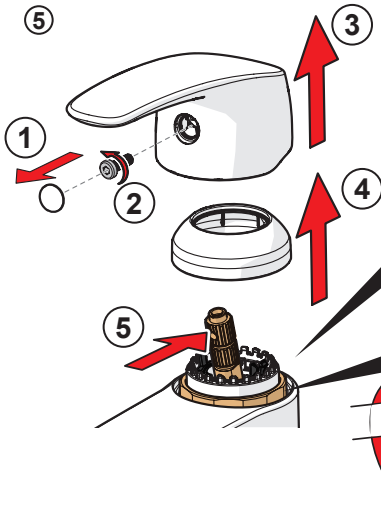
159667/10

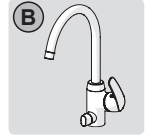
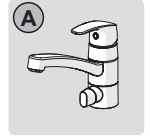
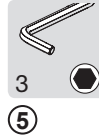
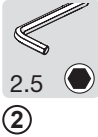
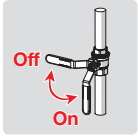
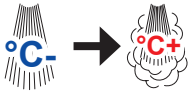




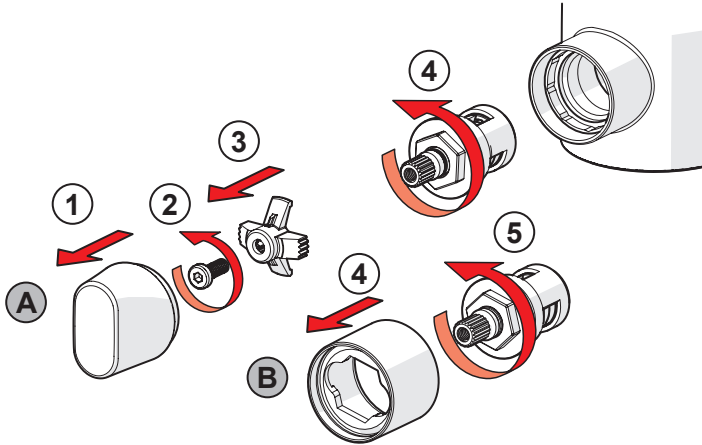
②

⑤

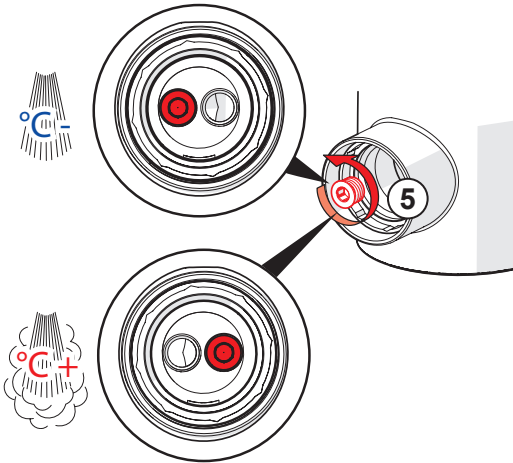




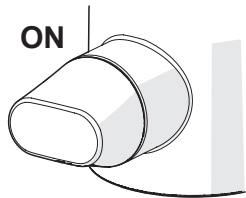
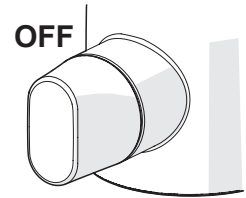
1



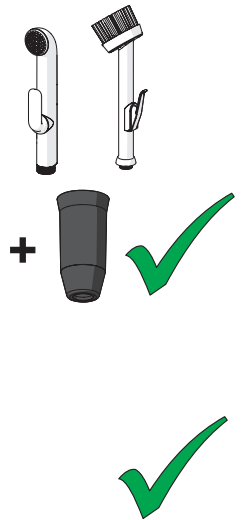
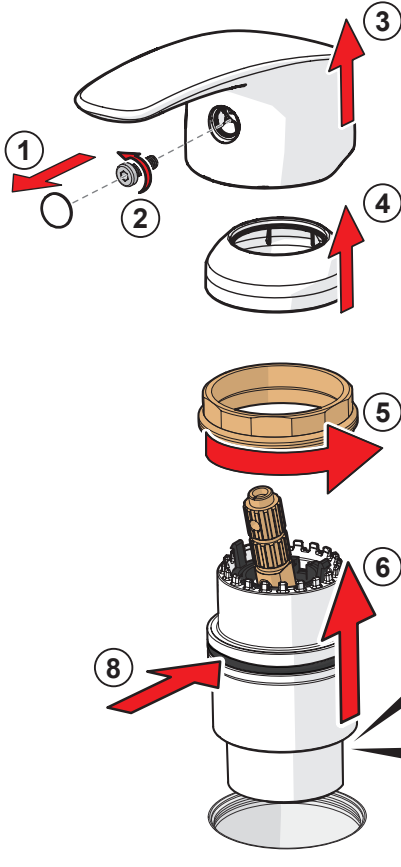
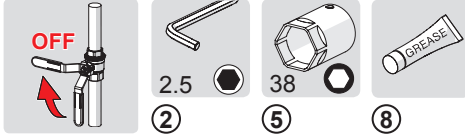
2



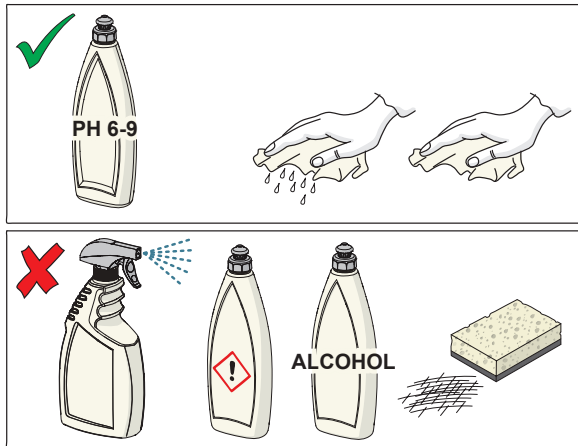
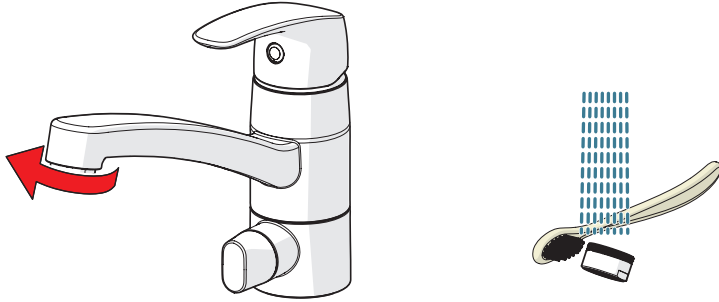
3









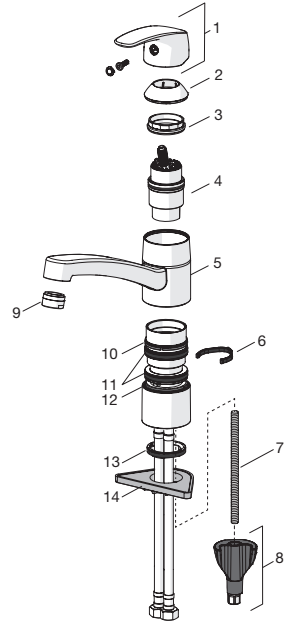


CLEANING.ORAS.COM



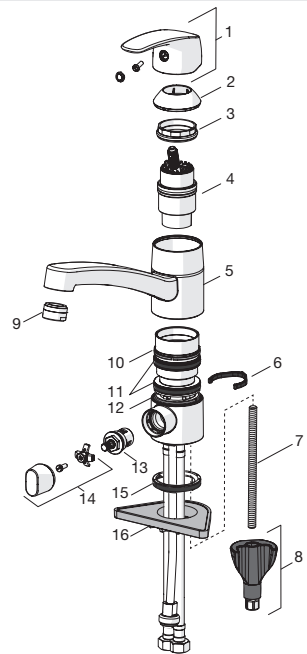
### 1030 , 1030F , 1022

- 1 602502V
- 2 602589V
- 3 158726
- 4 158890
- 5 602517V
- 6 1002207/10 40°-80°
- 6 1001406/10 120°
- 7 1000780V
- 8 602610V
- 9 232210
- 10 601097/10
- 11 158735
- 12 159423/10
- 13 1002371V
- 14 158825



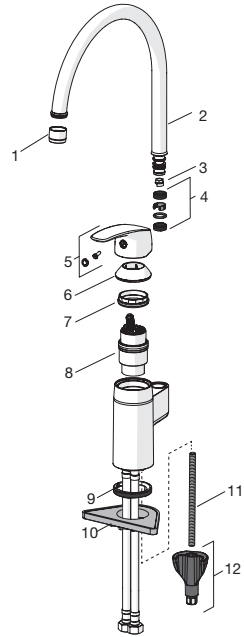
### 1035 , 1035F , 1027

- 1 602502V
- 2 602589V
- 3 158726
- 4 158890
- 5 602517V
- 6 1002207/10 40°-80°
- 6 1001406/10 120°
- 7 1000780V
- 8 602610V
- 9 232210
- 10 601097/10
- 11 158735
- 12 159423/10
- 13 602600V
- 14 602587V
- 15 1002371V
- 16 158825



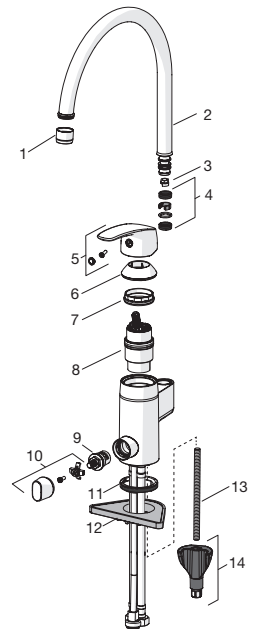
### 1038 , 1038F

- 1 232201
- 2 159695V
- 3 159667V (60°/0°)
- 3 159667/10 (60°/0°)
- 3 159670/10 (120°)
- 4 159499
- 5 602502V
- 6 602589V
- 7 158726
- 8 158890
- 9 601971V
- 10 158825
- 11 1000780V
- 12 602610V



### 1039 , 1039F , 1057F

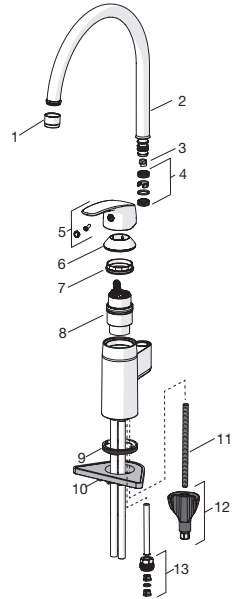
- 1 232201
- 2 159695V
- 3 159667/10 (60°/0°)
- 3 159670/10 (120°)
- 3 159667V (60°/0°)
- 4 159499
- 5 602502V
- 6 602589V
- 7 158726
- 8 158890
- 9 602600V
- 10 602587V
- 11 601971V
- 12 158825
- 13 1000780V
- 14 602610V





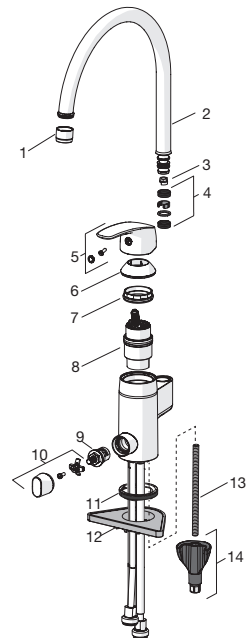
### 1033

- 1 232201
- 2 159695V
- 3 159667/10 (60°/0°)
- 3 159667V (60°/0°)
- 3 159670/10 (120°)
- 4 159499
- 5 602502V
- 6 602589V
- 7 158726
- 8 158890
- 9 601971V
- 10 158825
- 11 1000780V
- 12 602610V
- 13 159684



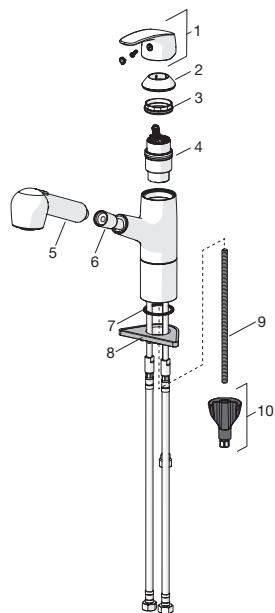
### 1034

- 1 232201
- 2 159695V
- 3 159667/10 (60°/0°)
- 3 159670/10 (120°)
- 3 159667V (60°/0°)
- 4 159499
- 5 602502V
- 6 602589V
- 7 158726
- 8 158890
- 9 602600V
- 10 602587V
- 11 601971V
- 12 158825
- 13 1000780V
- 14 602610V



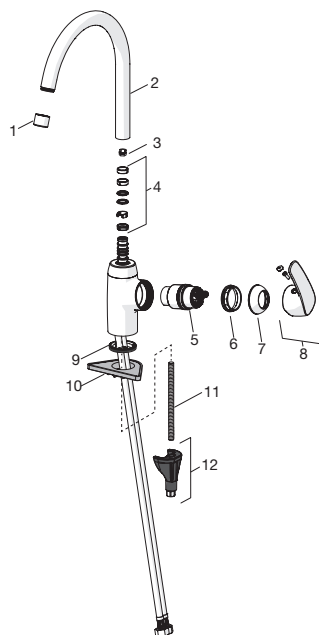
### 1032F

- 1 602502V
- 2 602589V
- 3 158726
- 4 158890
- 5 126010
- 6 600533V
- 7 159431/10
- 8 158825
- 9 1000780V
- 10 602610V



### 1028F

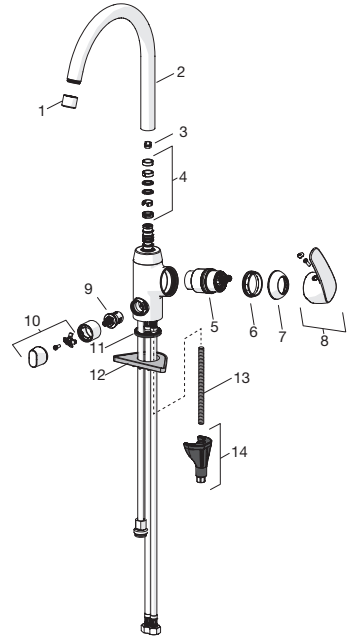
- 1 1001070V
- 2 1001058V
- 3 159667/10 (60°/0°)
- 3 159670/10 (120°)
- 4 198287V
- 5 158890
- 6 158726
- 7 602503V
- 8 602502V
- 9 601971V
- 10 158825
- 11 1000780V
- 12 602610V





**1029F**

- 1 1001070V
- 2 1001058V
- 3 159667/10 (60°/0°)
- 3 159670/10 (120°)
- 4 198287V
- 5 158890
- 6 158726
- 7 602503V
- 8 602502V
- 9 602600V
- 10 602587V
- 11 601971V
- 12 158825
- 13 1000780V
- 14 602610V











Oras Group is a powerful European provider of sanitary fittings: the market leader in the Nordics and a leading company in Continental Europe. The company's mission is to make the use of water easy and sustainable and its vision is to become the European leader of advanced sanitary fittings. Oras Group has two strong brands, Oras and Hansa.

The head office of the Group is located in Rauma, Finland, and the Group has four manufacturing sites: Burglengenfeld (Germany), Kralovice (Czech Republic), Olesno (Poland) and Rauma (Finland). Oras Group employs approximately 1400 people in twenty countries. Oras Group is owned by Oras Invest, a family company and an industrial owner.

ORAS GROUP

Isometsäntie 2, P.O. Box 40

FI-26101 Rauma

Tel. +358 2 83 161

Fax +358 2 831 6300

[info.finland@oras.com](mailto:info.finland@oras.com)

[www.oras.com](http://www.oras.com)

