



Shower faucet. There are also in-built limitation options for water temperature and maximum flow-rate. The upper shower hose connection G3/4.

- Shower
- Single lever
- Wall mounted
- Chrome
- Limitation option for maximum flow-rate
- Limitation option for maximum temperature

## Technical data

### Flow properties

Flow-rate at 300 kPa	<b>0.26 l/s</b>
Flow-rate at 300 kPa (with flow reducers)	<b>0.2 l/s</b>
Pressure loss 0.2 l/s (with flow reducers)	<b>300 kPa</b>
Pressure loss with flow (0.2 l/s)	<b>180 kPa</b>

### Technical properties

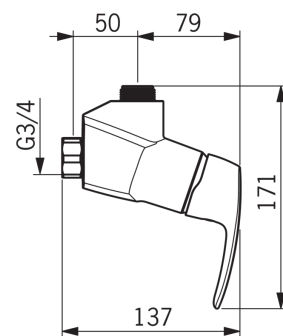
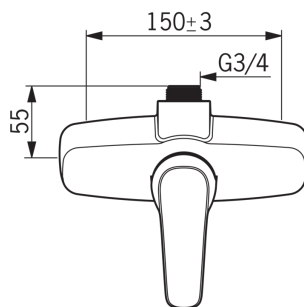
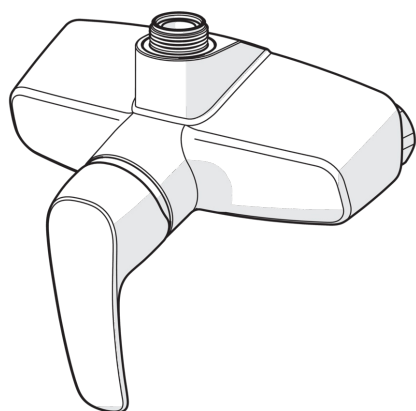
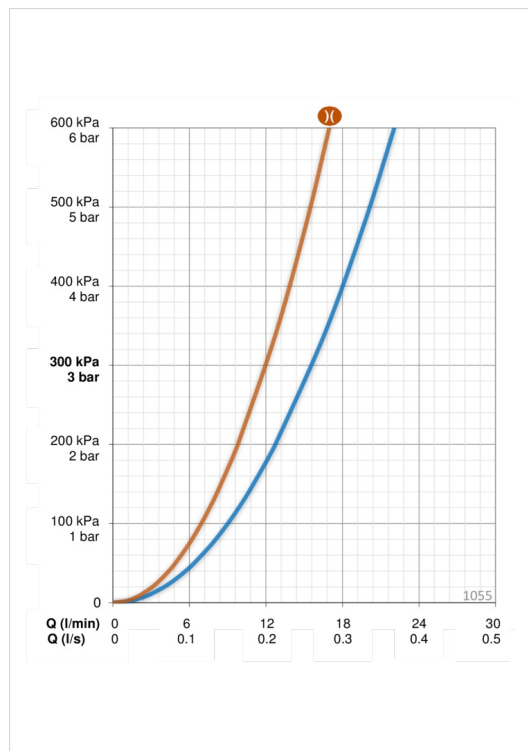
Hot water supply	<b>max. +80°C</b>
Working pressure	<b>50 - 1000 kPa</b>
Connection size	<b>G3/4</b>
Installation width	<b>CC150± 3 mm</b>
Material	<b>brass</b>

### Regulations

EN standard	<b>EN 817</b>
Noise class 0.2 l/s	<b>I (ISO 3822)</b>

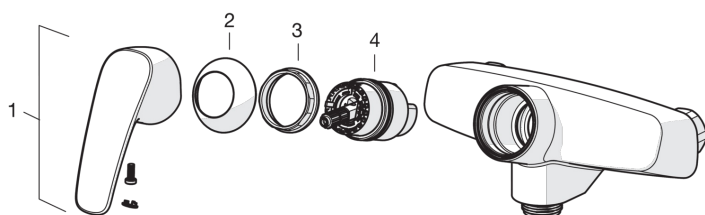
### Type approvals

STF certificate	<b>VTT-RTH-00091-17</b>
-----------------	-------------------------



## Spare parts

---



### SP1070

---

	Code
01	602502V
02	1000785V
03	158726
04	158890