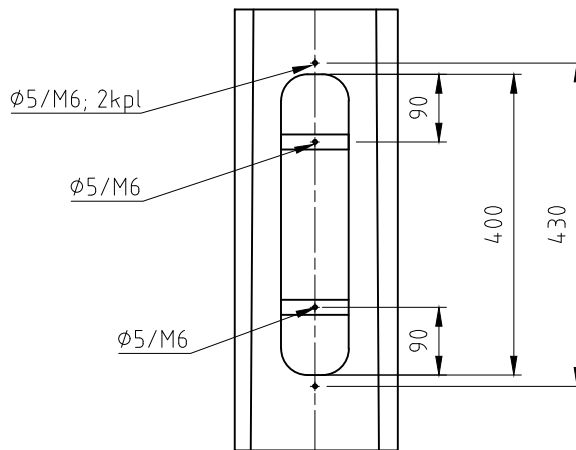
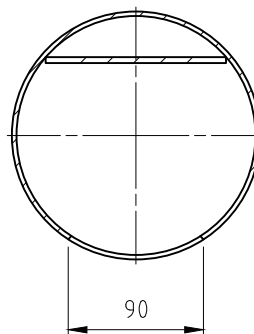


A (1:10)



B-B (1:5)



Customer:

Location:

Project:

Product: B110SK 4607815

SUORAKARTIOPYLVÄS

Drawing:
100070KGXS

Designed: ju.saarimaki

Date: 18.11.2020

Scale: 1:50

Checked: ja.aalto

Date: 18.11.2020

Mass (kg):95.7

Order:

Approved:jo.innanen

Date: 18.11.2020

Area (m²):